

AXOR Starck
2-handle bath mixer floor-standing
 Finish: **Chrome** Article Number: **10458007**



product features

- consists of: 2-handle bath mixer floor standing, baton hand shower, shower hose, shower holder
- 2 functions
- projection: 140 mm
- spray type mixer: normal spray
- spray type hand shower: Rain, Mono
- maximum flow rate at 3 bar: 19 l/min
- flow rate for bath spout at 3 bar: 19 l/min
- flow rate of hand shower at 3 bar: 9,5 l/min
- ceramic valves hot/ cold 180°
- diverter with automatic resetting
- non-return valve
- suitable for continuous flow water heaters
- connection dimension: DN15
- connection type: basic set
- deck mounted

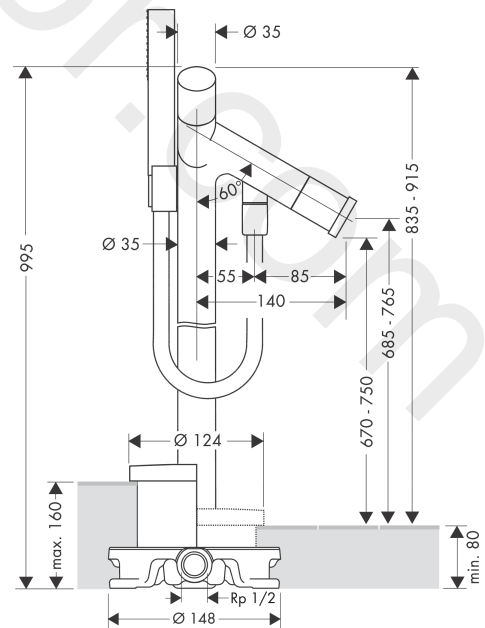
Technology



Product image



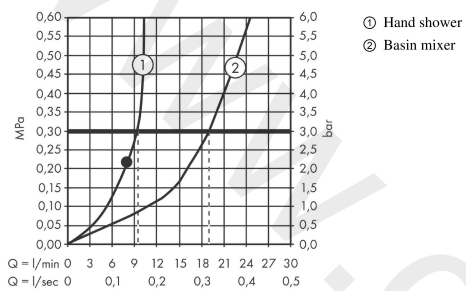
Scale drawing



AXOR Starck
2-handle bath mixer floor-standing
 Finish: **Chrome** Article Number: **10458007**



Flowchart

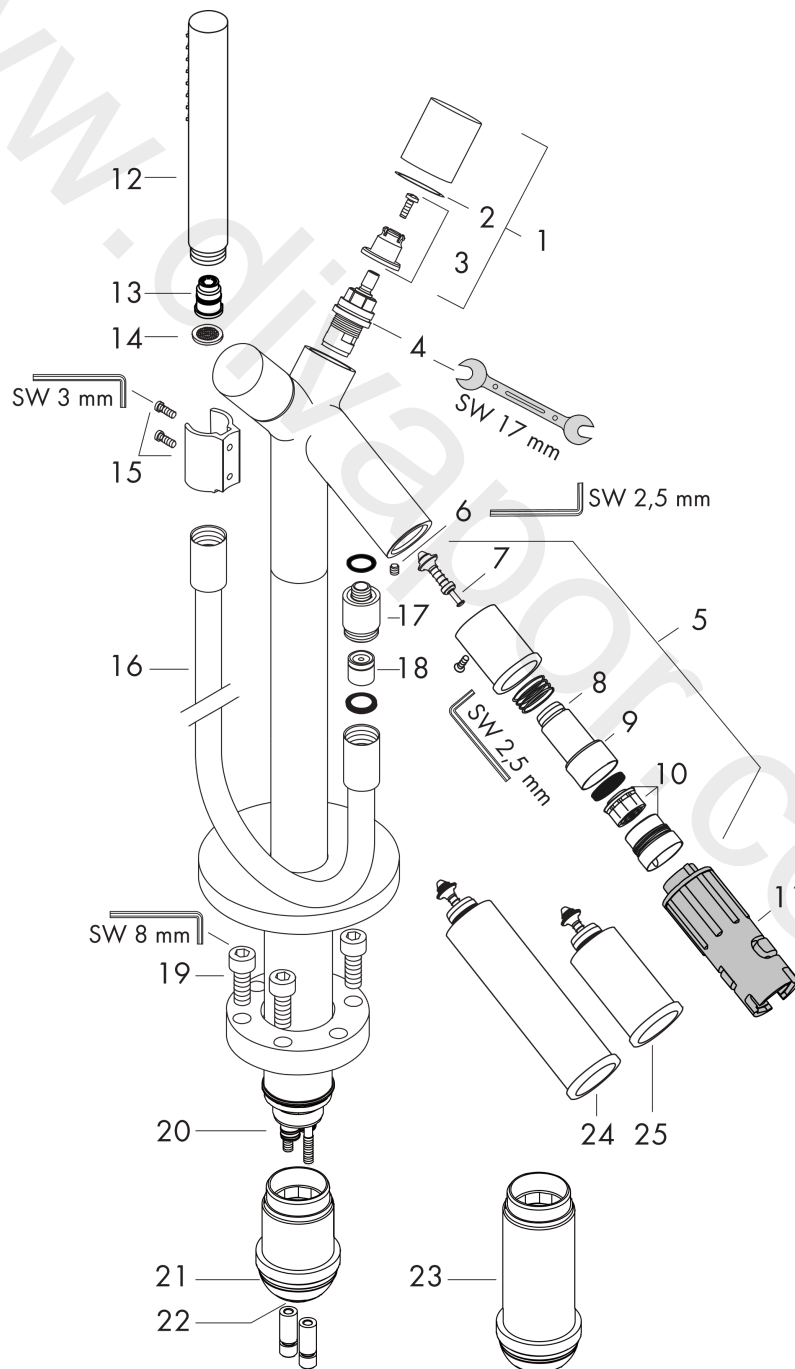


AXOR Starck
2-handle bath mixer floor-standing
 Finish: **Chrome** Article Number: **10458007**



Exploded Drawing

Year of production: >01/19



AXOR Starck
2-handle bath mixer floor-standing
 Finish: **Chrome** Article Number: **10458007**



Spare part list

Year of production: >01/19

Pos.		Article Number	Price	PU
1	handle	96298000	£ 96,00	1
2	set of color-rings cold / hot water	96299000	£ 20,50	1
3	handle fixing set	94184000	£ 6,10	1
4	shut off unit	94149000	£ 35,00	1
5	selector assy	96294000	£ 173,00	1
6	hollow set screw M5x6	98482000	£ 3,30	1
7	selector	96297000	£ 35,00	1
8	O-ring 16x2	98133000	£ 3,30	1
9	O-ring 24x2	98388000	£ 3,30	1
10	aerator M30x1 (25 l/min)	96296000	£ 43,00	1
11	special tool set	58085000	£ 9,00	1
12	handshower	28532007	-	1
13	back flow preventor cartridge	93339000	£ 20,50	1
14	filter packing	94246000	£ 3,30	1
15	shower holder, assy	96295000	£ 35,00	1
16	shower hose 1,25 m	28282000	£ 67,00	1
17	connecting thread	97527000	£ 35,00	1
18	set of non return valves DW 15	94074000	£ 16,10	1
19	hexagon socket screw M10x35	97670000	£ 16,10	1
20	O-ring 9x1,5	98117000	£ 3,30	1
21	O-ring 44x2,5	98162000	£ 3,30	1
22	O-ring 29x3	98371000	£ 6,10	1
23	extension set 60 mm	97686000	£ 320,00	1
24	extension for diverter 20 mm	10983000	£ 370,00	1
25	extension for diverter 60 mm	10981000	£ 395,00	1