

AXOR Starck
Single lever bath mixer floor-standing with pin handle
 Finish: **Brushed Nickel** Article Number: **10456820**



product features

- consists of: single lever bath mixer floor standing, baton hand shower, shower holder
- 2 functions
- projection: 156 mm
- spray type mixer: normal spray
- spray type hand shower: Rain, Mono
- maximum flow rate at 3 bar: 18 l/min
- flow rate for bath spout at 3 bar: 18 l/min
- flow rate of hand shower at 3 bar: 15 l/min
- ceramic cartridge
- temperature limitation adjustable
- diverter with automatic resetting
- non-return valve
- suitable for continuous flow water heaters
- connection dimension: DN15
- connection type: basic set
- floor standing
- min. operating pressure: 1 bar
- max. operating pressure: 10 bar
- WRAS 2110036 - Approval letter

Article Details

Price excl. VAT 2.425,00 £

Technology



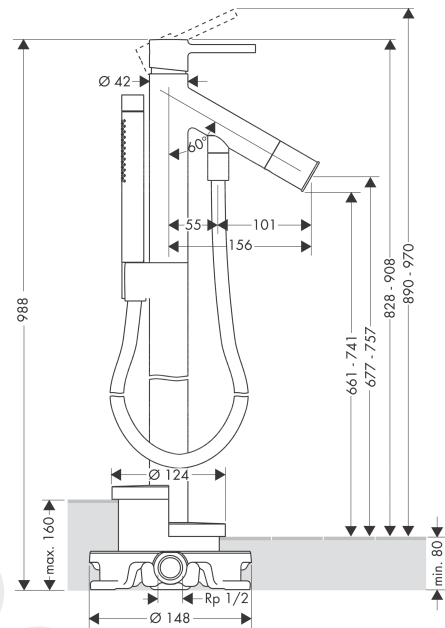
AXOR Starck
Single lever bath mixer floor-standing with pin handle
 Finish: **Brushed Nickel** Article Number: **10456820**



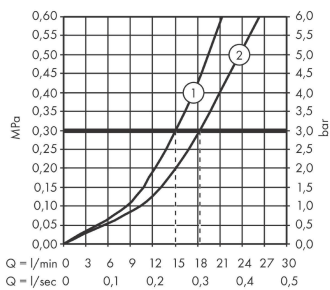
Product image



Scale drawing



Flowchart



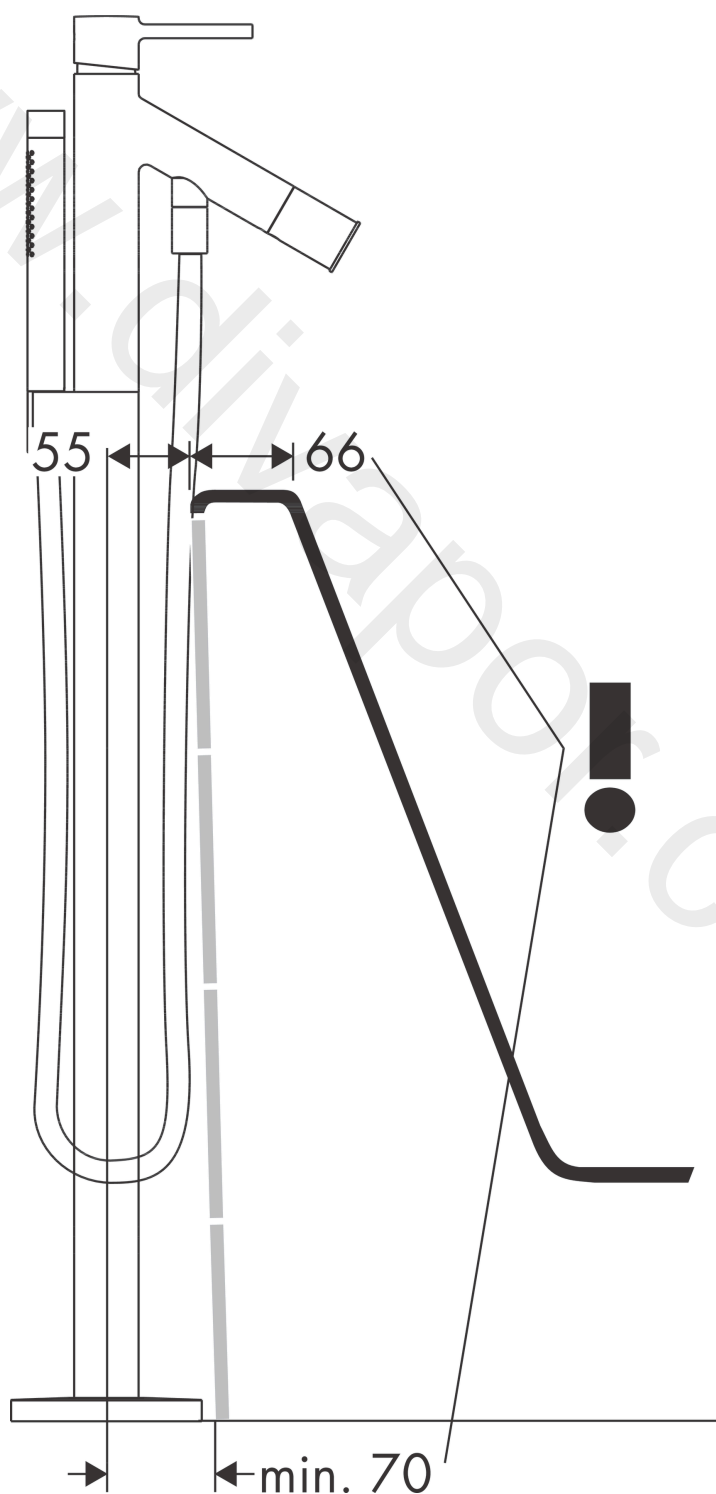
- ① Hand shower
- ② Bath spout

The consumption was measured in combination with the appropriate fittings (thermostat/mixer/in-wall valve) to reflect actual application in practice.

AXOR Starck
Single lever bath mixer floor-standing with pin handle
Finish: **Brushed Nickel** Article Number: **10456820**



Installation examples

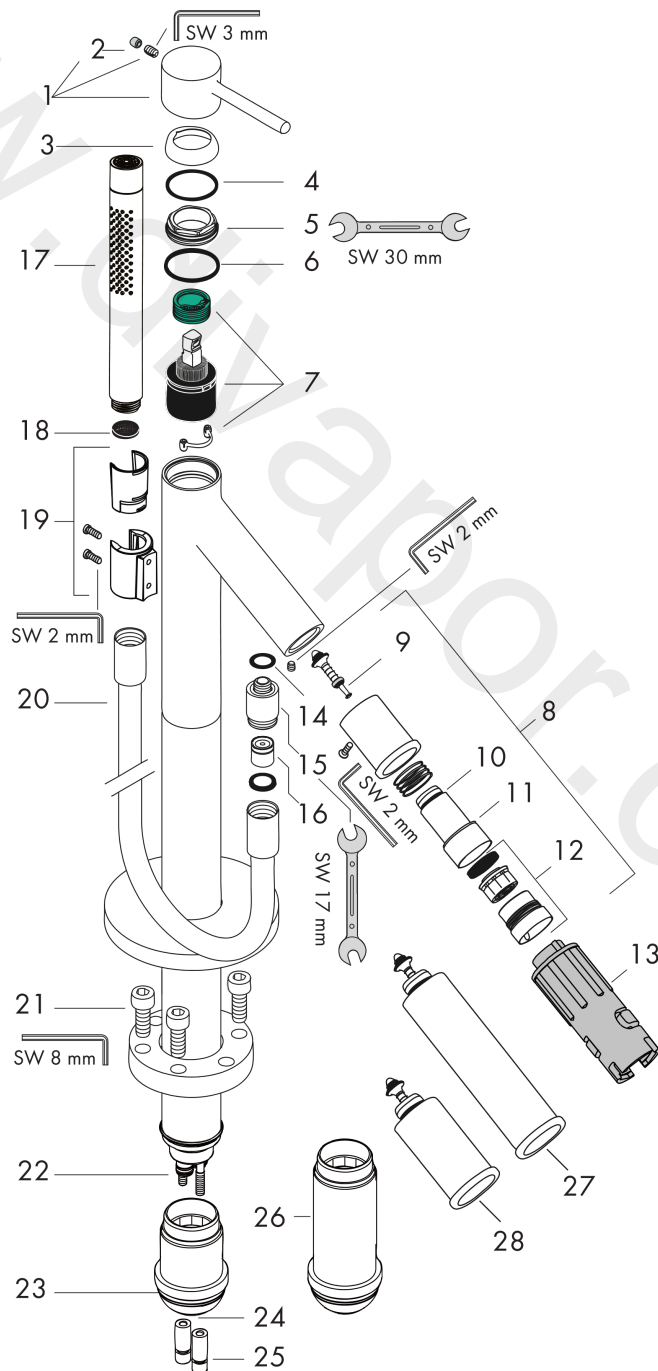


AXOR Starck
Single lever bath mixer floor-standing with pin handle
 Finish: **Brushed Nickel** Article Number: **10456820**



Exploded Drawing

Year of production: >11/16



AXOR Starck
Single lever bath mixer floor-standing with pin handle
 Finish: **Brushed Nickel** Article Number: **10456820**



Spare part list

Year of production: >11/16

Pos.		Article Number	Price	PU
1	handle	10093820	£ 118,50	1
2	screw cover	96762000	£ 3,30	1
3	flange	96763820	£ 13,50	1
4	O-ring 33x2	98154000	£ 3,30	1
5	nut	97209000	£ 16,10	1
6	O-ring 35x2	92604000	£ 6,10	1
7	cartridge, assy	92730000	£ 35,00	1
8	selector assy	96294820	£ 259,50	1
9	selector	96297000	£ 35,00	1
10	O-ring 16x2	98133000	£ 3,30	1
11	O-ring 24x2	98388000	£ 3,30	1
12	aerator M30x1 (25 l/min)	96296820	£ 64,50	1
13	special tool set	58085000	£ 9,00	1
14	O-ring 13x2	98128000	£ 3,30	1
15	connecting thread	97527820	£ 51,00	1
16	set of non return valves DW 15	94074000	£ 16,10	1
17	handshower	28532820	£ 334,44	1
18	filter packing	94246000	£ 3,30	1
19	shower holder, assy	96295820	£ 52,50	1
20	shower hose 1,25 m	28282820	£ 100,44	1
21	hexagon socket screw M10x35	97670000	£ 16,10	1
22	O-ring 9x1,5	98117000	£ 3,30	1
23	O-ring 44x2,5	98162000	£ 3,30	1
24	O-ring 29x3	98371000	£ 6,10	1
25	O-ring 7x2	98419000	£ 3,30	1
26	extension set 60 mm	97686000	£ 320,00	1
27	extension for diverter 60 mm	10981820	£ 592,56	1
28	extension for diverter 20 mm	10983820	£ 555,00	1