

AXOR Starck
Single lever bath mixer floor-standing with pin handle
 Finish: **Brushed Red Gold** Article Number: **10456310**



product features

- consists of: single lever bath mixer floor standing, baton hand shower, shower holder
- 2 functions
- projection: 156 mm
- spray type mixer: normal spray
- spray type hand shower: Rain, Mono
- maximum flow rate at 3 bar: 18 l/min
- flow rate for bath spout at 3 bar: 18 l/min
- flow rate of hand shower at 3 bar: 15 l/min
- ceramic cartridge
- temperature limitation adjustable
- diverter with automatic resetting
- non-return valve
- suitable for continuous flow water heaters
- connection dimension: DN15
- connection type: basic set
- floor standing
- min. operating pressure: 1 bar
- max. operating pressure: 10 bar
- WRAS 2110036 - Approval letter

Article Details

Price excl. VAT 2.425,00 £

Technology



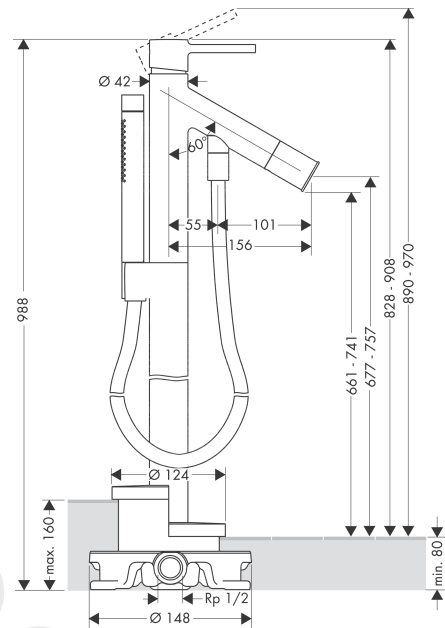
AXOR Starck
Single lever bath mixer floor-standing with pin handle
 Finish: **Brushed Red Gold** Article Number: **10456310**



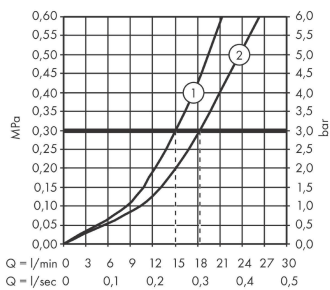
Product image



Scale drawing



Flowchart



- ① Hand shower
- ② Bath spout

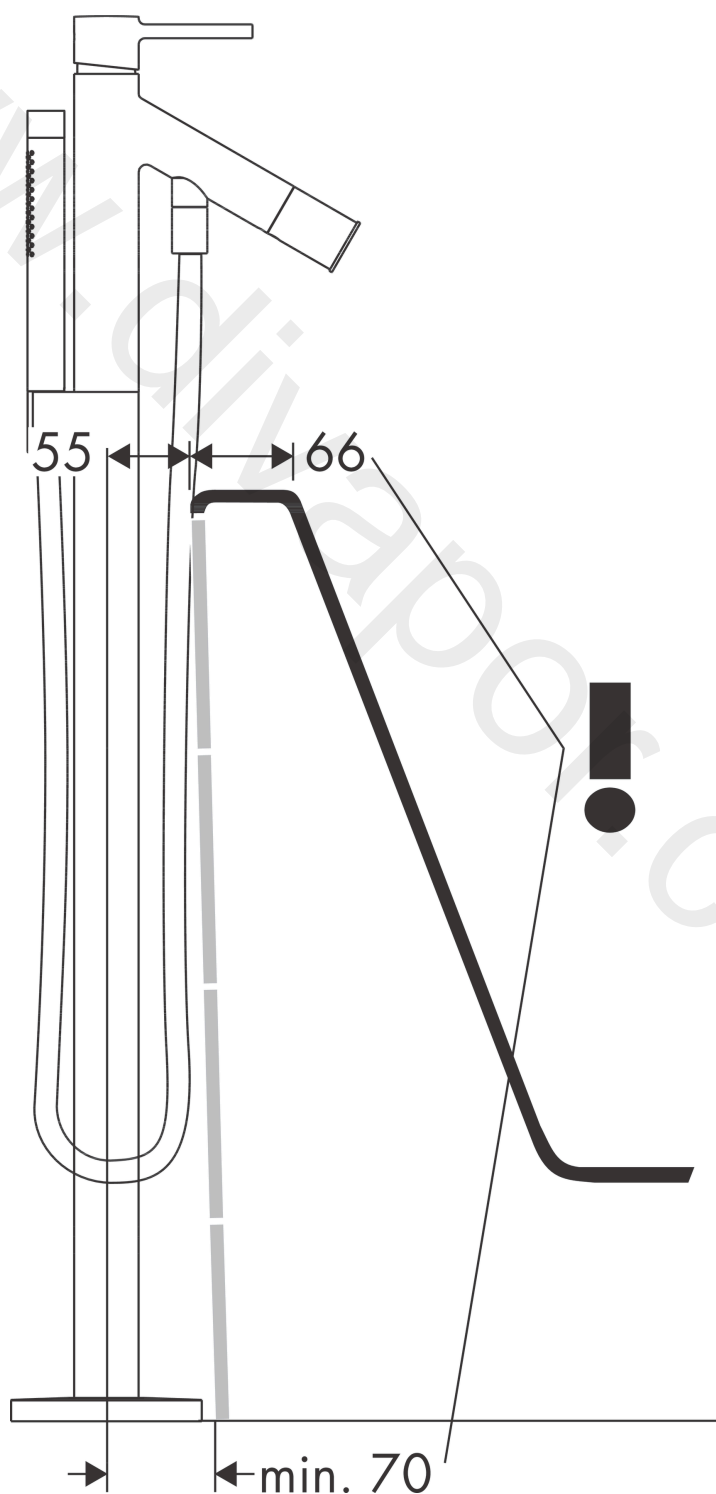
Q = l/min 0 3 6 9 12 15 18 21 24 27 30
 Q = l/sec 0 0,1 0,2 0,3 0,4 0,5

The consumption was measured in combination with the appropriate fittings (thermostat/mixer/in-wall valve) to reflect actual application in practice.

AXOR Starck
Single lever bath mixer floor-standing with pin handle
Finish: **Brushed Red Gold** Article Number: **10456310**



Installation examples

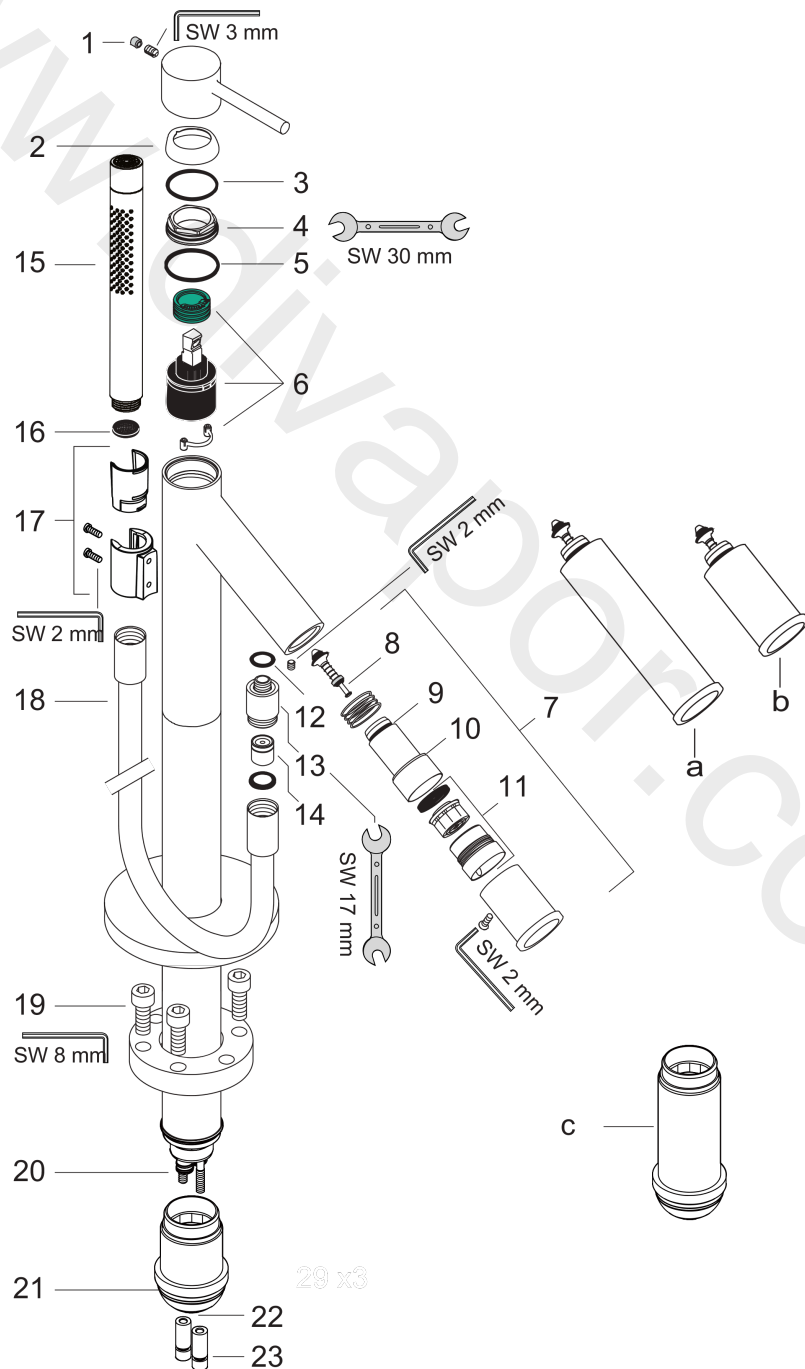


AXOR Starck
Single lever bath mixer floor-standing with pin handle
 Finish: **Brushed Red Gold** Article Number: **10456310**



Exploded Drawing

Year of production: >11/16



AXOR Starck
Single lever bath mixer floor-standing with pin handle
 Finish: **Brushed Red Gold** Article Number: **10456310**



Spare part list

Year of production: >11/16

Pos.		Article Number	Price	PU
1	screw cover	96762000	£ 3,30	1
2	flange	96763310	£ 13,50	1
3	O-ring 33x2	98154000	£ 3,30	1
4	nut	97209000	£ 16,10	1
5	O-ring 35x2	92604000	£ 6,10	1
6	cartridge, assy	92730000	£ 35,00	1
7	selector assy	96294310	£ 259,50	1
8	selector	96297000	£ 35,00	1
9	O-ring 16x2	98133000	£ 3,30	1
10	O-ring 24x2	98388000	£ 3,30	1
11	aerator M30x1 (25 l/min)	96296310	£ 64,50	1
12	O-ring 13x2	98128000	£ 3,30	1
13	connecting thread	97527310	£ 52,50	1
14	set of non return valves DW 15	94074000	£ 16,10	1
15	handshower	28532310	£ 334,44	1
16	filter packing	94246000	£ 3,30	1
17	shower holder, assy	96295310	£ 51,00	1
18	shower hose 1,25 m	28282310	£ 100,44	1
19	hexagon socket screw M10x35	97670000	£ 16,10	1
20	O-ring 9x1,5	98117000	£ 3,30	1
21	O-ring 44x2,5	98162000	£ 3,30	1
22	O-ring 29x3	98371000	£ 6,10	1
23	O-ring 7x2	98419000	£ 3,30	1
a	extension for diverter 60 mm	10981310	£ 592,50	1
b	extension for diverter 20 mm	10983310	£ 555,00	1
c	extension set 60 mm	97686000	£ 320,00	1
d	concealed item	10452180	£ 575,00	1