

AXOR Starck
4-hole tile mounted bath mixer with zero handles
 Finish: **Chrome** Article Number: **10451000**



product features

- consists of: 4-hole tile mounted bath mixer, hand shower, shower hose, shower holder
- 2 functions
- projection: 242 mm
- spray type mixer: normal spray
- spray type hand shower: Rain, RainAir, WhirlAir
- maximum pull-out length of hand shower: 1.10 m
- maximum flow rate at 3 bar: 21 l/min
- flow rate for bath spout at 3 bar: 21 l/min
- flow rate of hand shower at 3 bar: 19 l/min
- ceramic valves hot/ cold 180°
- diverter with automatic resetting
- non-return valve
- connection dimension: DN15
- connection type: basic set
- min. operating pressure: 1 bar
- max. operating pressure: 10 bar

Article Details

Price excl. VAT

1.333,33 £

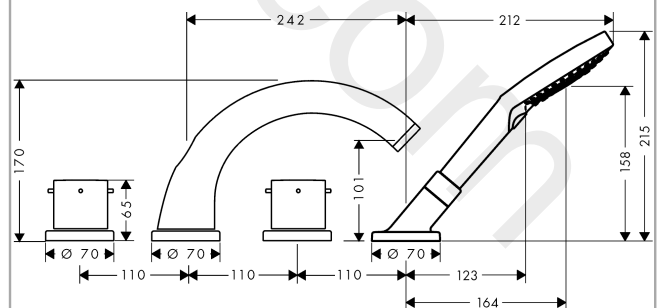
Technology



Product image



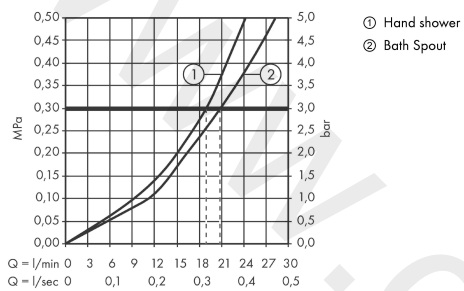
Scale drawing



AXOR Starck
4-hole tile mounted bath mixer with zero handles
 Finish: **Chrome** Article Number: **10451000**



Flowchart



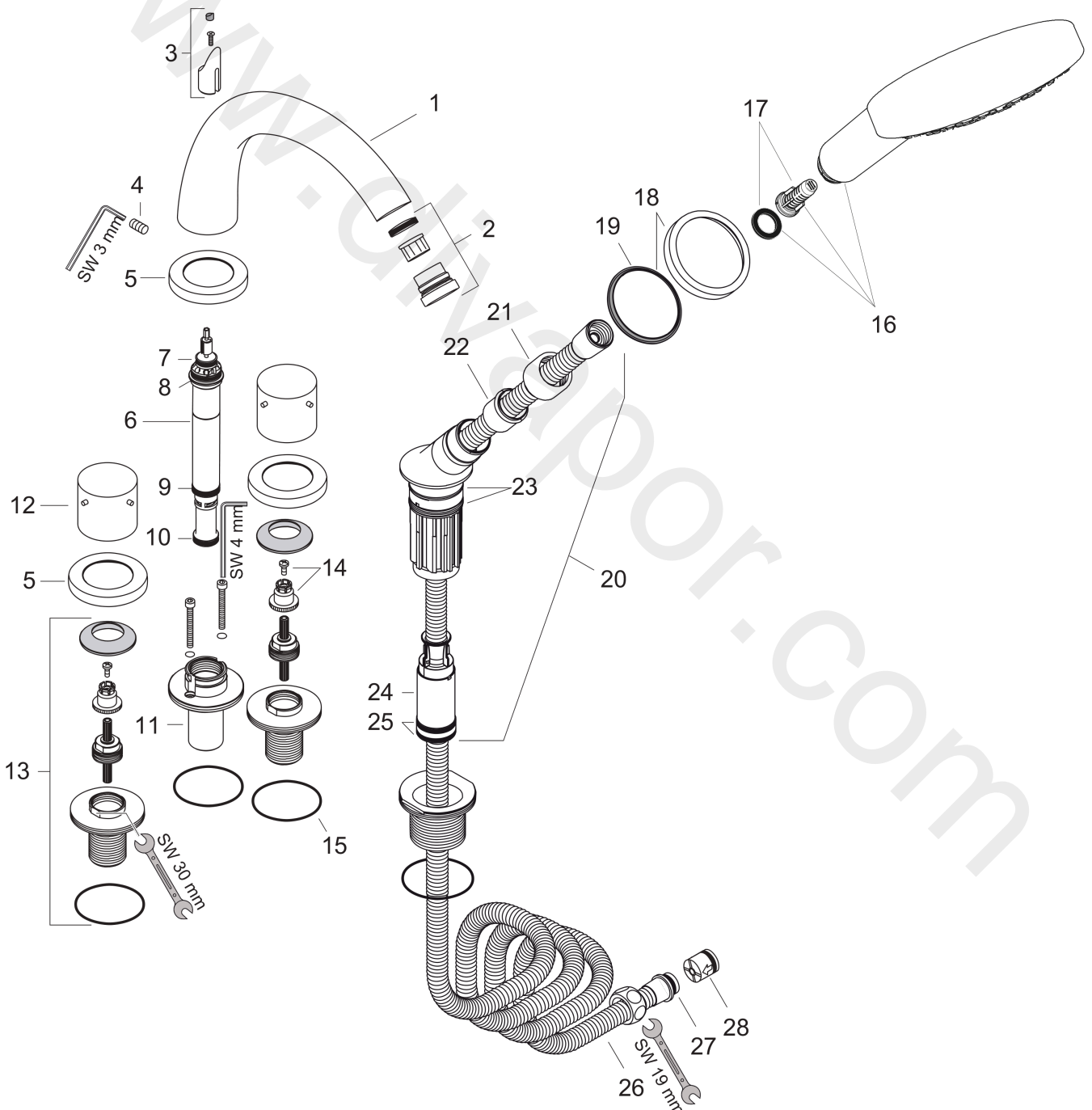
The consumption was measured in combination with the appropriate fittings (thermostat/mixer/in-wall valve) to reflect actual application in practice.

AXOR Starck
4-hole tile mounted bath mixer with zero handles
 Finish: **Chrome** Article Number: **10451000**



Exploded Drawing

Year of production: >01/17



AXOR Starck
4-hole tile mounted bath mixer with zero handles
 Finish: **Chrome** Article Number: **10451000**



Spare part list

Year of production: >01/17

Pos.		Article Number	Price	PU
1	spout cpl.	96304000	£ 585,00	1
2	aerator M30x1 (25 l/min)	94034000	£ 43,00	1
3	diverter knob	96086000	£ 25,00	1
4	hollow set screw M6x10 DIN 916	96029000	£ 3,30	1
5	escutcheon Ø 70 mm	96236000	£ 43,00	1
6	selector assy	96246000	£ 173,00	1
7	O-ring 15x2,5	98131000	£ 3,30	1
8	O-ring 24x2,5	98145000	£ 3,30	1
9	O-ring 20x2,5	92602000	£ 6,10	1
10	O-ring 18x2,5	98139000	£ 3,30	1
11	selector housing	97225000	£ 79,00	1
12	handle	10991000	£ 96,00	1
13	flange	97656000	£ 110,00	1
14	handle fixing set	94184000	£ 6,10	1
15	O-ring 58x3	98202000	£ 3,30	1
16	handshower	26050000	£ 138,00	1
17	filter packing	94246000	£ 3,30	1
18	escutcheon for shower holder	96237000	£ 43,00	1
19	escutcheon chuck	97105000	£ 9,00	1
20	shower holder, assy	95996000	£ 137,00	1
21	nut	97584000	£ 16,10	1
22	insert for shower holder	96942000	£ 13,30	1
23	O-ring 38x2,5	98198000	£ 6,10	1
24	hose brake	98656000	£ 20,50	1
25	O-Ring 28x2	98194000	£ 3,30	1
26	shower hose 2,00 m	94148000	£ 79,00	1
27	O-ring 11x2	98127000	£ 3,30	1
28	set of non return valves DW 15	94074000	£ 16,10	1
a	concealed item	14445180	-	1
b	SECUFLEX hose + long hose (max. extension 1,40 m)	94109000	£ 445,00	1
c	silicone sprayer 10 ml	97864000	£ 43,00	1