

AXOR Starck

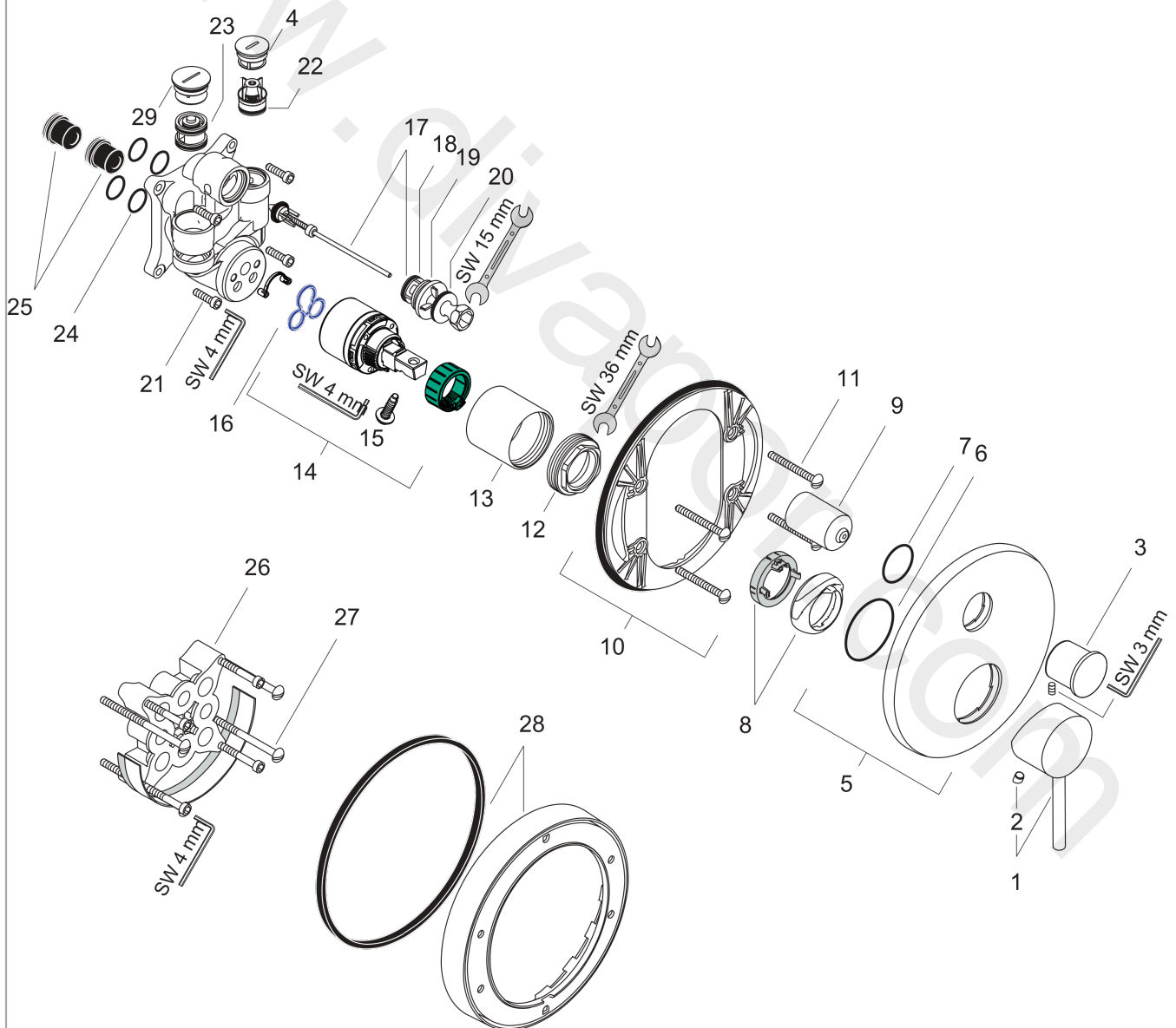
Single lever bath mixer for concealed installation with pin handle and integrated security combination according to EN1717

Surfaces: Article Number: 10418000



Exploded Drawing

Year of production: 06/11 - 03/12



AXOR Starck

Single lever bath mixer for concealed installation with pin handle and integrated security combination according to EN1717

Surfaces: Article Number: **10418000**



Spare part list

Year of production: **06/11 - 03/12**

Pos.		Article Number	Price	PU
1	handle	10490000	£ 110,00	1
2	screw cover	96338000	£ 3,30	1
3	diverter knob cpl.	96934000	£ 51,00	1
4	O-ring 19x2	98426000	£ 3,30	1
5	escutcheon Ø 170 mm	95806000	£ 110,00	1
6	O-Ring 48x3	95508000	£ 3,30	1
7	O-ring 29x3	98371000	£ 6,10	1
8	flange (Rotating Protector)	96395000	£ 43,00	1
9	sleeve	96448000	£ 43,00	1
10	sub plate	96447000	£ 51,00	1
11	set of fixing screws	96454000	£ 9,00	1
12	nut	96461000	£ 35,00	1
13	sleeve	98713000	£ 51,00	1
14	cartridge, assy	92730000	£ 35,00	1
15	locking screw for handle	95140000	£ 6,10	1
16	seal	95008000	£ 9,00	1
17	selector assy	95014000	£ 64,00	1
18	O-ring 16x2,3	98207000	£ 3,30	1
19	O-ring 20x2,5	92602000	£ 6,10	1
20	O-ring 21x2	98205000	£ 6,10	1
21	set of screws	96525000	£ 9,00	1
22	non return valve	96655000	£ 13,30	1
23	vacuum breaker	96753000	£ 16,10	1
24	O-ring 16x2	98133000	£ 3,30	1
25	noise reduction	94073000	£ 25,00	1
26	extension 25 mm	13595000	£ 75,00	1
27	set of fixing screws	97747000	£ 3,30	1
28	extension 22 mm (Ø 170 mm)	13596000	£ 72,00	1
29	O-Ring 22x2	98185000	£ 3,30	1
a	concealed item	01800180	£ 163,00	1