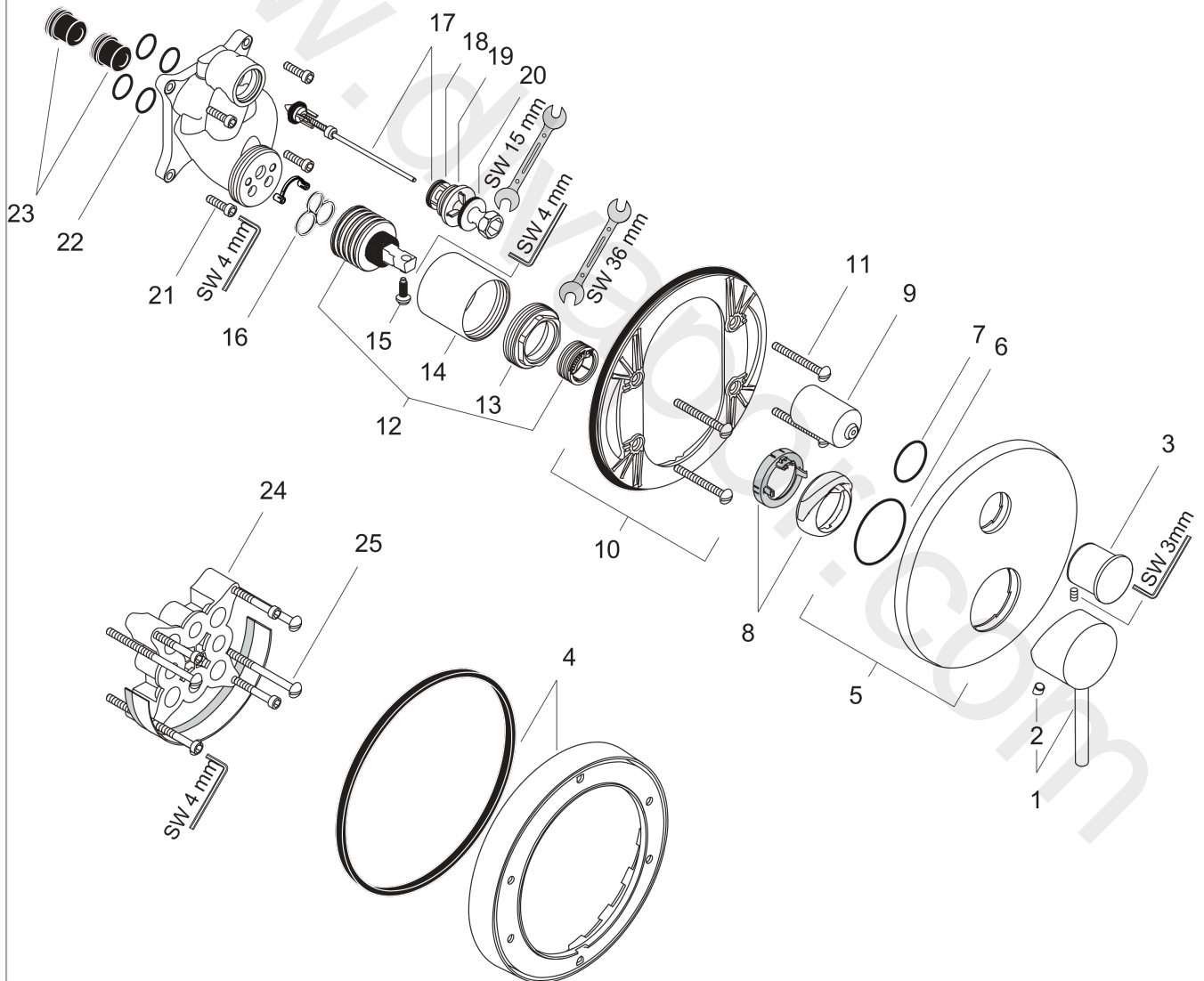


**AXOR Starck**  
**Single lever bath mixer for concealed installation with pin handle**  
Surfaces: Article Number: **10416000**



## Exploded Drawing

Year of production: **11/01 - 04/10**



## AXOR Starck

Single lever bath mixer for concealed installation with pin handle

Surfaces: Article Number: **10416000**



### Spare part list

Year of production: **11/01 - 04/10**

Pos.		Article Number	Price	PU
1	handle	10490000	£ 110,00	1
2	screw cover	96338000	£ 3,30	1
3	diverter knob cpl.	96934000	£ 51,00	1
4	extension 22 mm (Ø 170 mm)	13596000	£ 72,00	1
5	escutcheon Ø 170 mm	96453000	£ 64,00	1
6	O-ring 48x5	98174000	£ 3,30	1
7	O-ring 30x5	98153000	£ 3,30	1
8	flange (Rotating Protector)	96395000	£ 43,00	1
9	sleeve	96448000	£ 43,00	1
10	sub plate	96447000	£ 51,00	1
11	set of fixing screws	96454000	£ 9,00	1
12	cartridge, assy	92730000	£ 35,00	1
13	nut	96461000	£ 35,00	1
14	sleeve	95980000	£ 79,00	1
15	locking screw for handle	95140000	£ 6,10	1
16	seal	95008000	£ 9,00	1
17	selector assy	95014000	£ 64,00	1
18	O-ring 16x2,3	98207000	£ 3,30	1
19	O-ring 20x2,5	92602000	£ 6,10	1
20	O-ring 21x2	98205000	£ 6,10	1
21	set of screws	96525000	£ 9,00	1
22	O-ring 16x2	98133000	£ 3,30	1
23	noise reduction	94073000	£ 25,00	1
24	extension 25 mm	13595000	£ 75,00	1
25	set of fixing screws	97747000	£ 3,30	1
a	concealed item	01800180	£ 163,00	1
b	spring for exchanged connections	96365000	£ 43,00	1