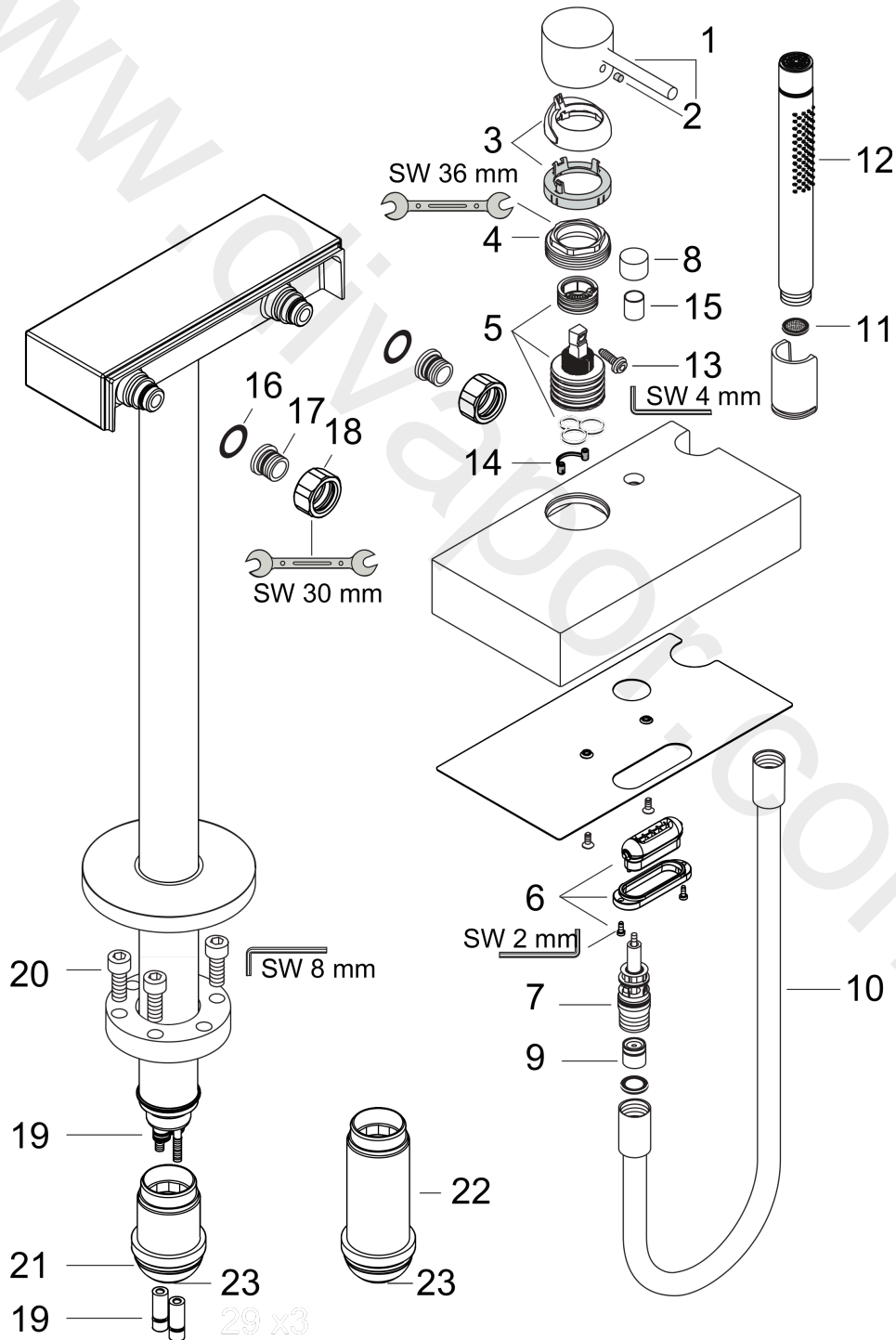


**AXOR Starck X**  
**Single lever bath mixer floor-standing**  
 Surfaces: Article Number: **10406000**



## Exploded Drawing

Year of production: **05/05 - 11/08**



**AXOR Starck X**  
**Single lever bath mixer floor-standing**  
 Surfaces: Article Number: **10406000**



## Spare part list

Year of production: **05/05 - 11/08**

| Pos. |                                | Article Number | Price    | PU |
|------|--------------------------------|----------------|----------|----|
| 1    | handle                         | 10490000       | £ 110,00 | 1  |
| 2    | screw cover                    | 96338000       | £ 3,30   | 1  |
| 3    | flange (Rotating Protector)    | 96395000       | £ 43,00  | 1  |
| 4    | nut                            | 96461000       | £ 35,00  | 1  |
| 5    | cartridge, assy                | 92730000       | £ 35,00  | 1  |
| 6    | spout body                     | 97467000       | £ 16,10  | 1  |
| 7    | selector assy                  | 94077000       | £ 43,00  | 1  |
| 8    | diverter knob                  | 96466000       | £ 16,10  | 1  |
| 9    | set of non return valves DW 15 | 94074000       | £ 16,10  | 1  |
| 10   | shower hose 1,25 m             | 28282000       | £ 67,00  | 1  |
| 11   | filter packing                 | 94246000       | £ 3,30   | 1  |
| 12   | handshower                     | 10531000       | £ 138,00 | 1  |
| 13   | locking screw for handle       | 96059000       | £ 9,00   | 1  |
| 14   | seal                           | 95008000       | £ 9,00   | 1  |
| 15   | sleeve                         | 97738000       | £ 6,10   | 1  |
| 16   | filter packing                 | 96922000       | £ 9,00   | 1  |
| 17   | O-ring 17x1,5                  | 98137000       | £ 3,30   | 1  |
| 18   | set of nuts                    | 96157000       | £ 35,00  | 1  |
| 19   | O-ring 9x1,5                   | 98117000       | £ 3,30   | 1  |
| 20   | hexagon socket screw M10x35    | 97670000       | £ 16,10  | 1  |
| 21   | O-ring 44x2,5                  | 98162000       | £ 3,30   | 1  |
| 22   | extension set 60 mm            | 97686000       | £ 320,00 | 1  |
| 23   | O-ring 29x3                    | 98371000       | £ 6,10   | 1  |
| a    | concealed item                 | 10452180       | £ 575,00 | 1  |
| b    | diverter fixing device         | 97211000       | £ 3,30   | 1  |