

AXOR Starck

3-hole basin mixer for concealed installation wall-mounted with spout 125 mm

Finish: **Chrome** Article Number: **10313000**



product features

- consists of: 3-hole basin mixer for concealed installation wall-mounted, waste set
- projection: 125 mm
- spray type: normal spray
- maximum flow rate at 3 bar: 5 l/min
- ceramic valves hot/ cold 180°
- suitable for continuous flow water heaters
- non-closing waste set
- connection type: basic set
- connection dimension: DN15
- WRAS 1906035

Article Details

Price excl. VAT

545,83 £

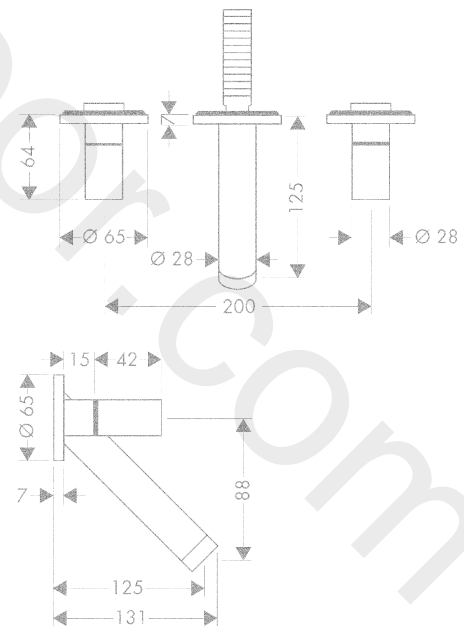
Technology



Product image



Scale drawing



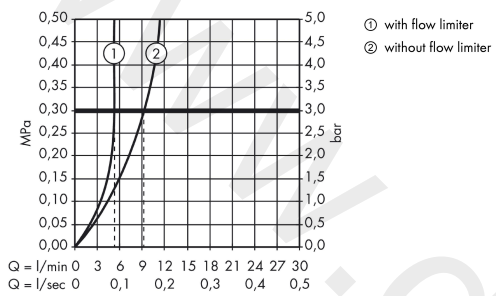
AXOR Starck

3-hole basin mixer for concealed installation wall-mounted with spout 125 mm

Finish: **Chrome** Article Number: **10313000**



Flowchart



AXOR Starck

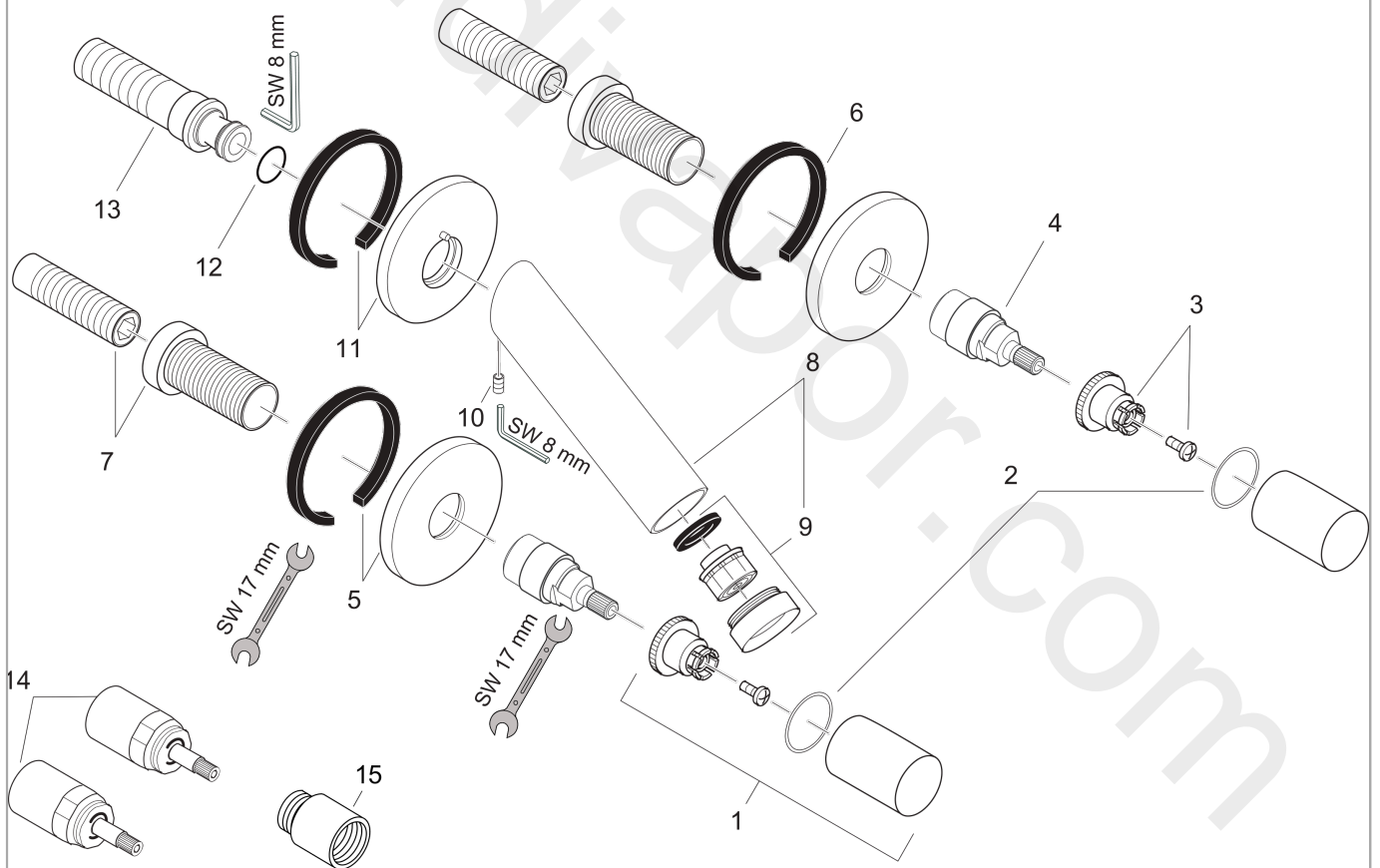
3-hole basin mixer for concealed installation wall-mounted with spout 125 mm

Finish: **Chrome** Article Number: **10313000**



Exploded Drawing

Year of production: >01/10



AXOR Starck

3-hole basin mixer for concealed installation wall-mounted with spout 125 mm

Finish: **Chrome** Article Number: **10313000**



Spare part list

Year of production: >01/10

Pos.		Article Number	Price	PU
1	handle	96318000	£ 79,00	1
2	set of color-rings cold / hot water	96319000	£ 9,00	1
3	handle fixing set	94184000	£ 6,10	1
4	adapter for handle	97395000	£ 64,00	1
5	escutcheon for handle	96499000	£ 64,00	1
6	seal	97530000	£ 6,10	1
7	fixing set	96393000	£ 35,00	1
8	spout cpl.	97587000	£ 137,00	1
9	aerator M24x1 (5 l/min)	95379000	£ 43,00	1
10	hollow set screw M6x6	97660000	£ 3,30	1
11	escutcheon for spout	96293000	£ 64,00	1
12	O-ring 13x2	98128000	£ 3,30	1
13	connecting thread G½	95626000	£ 43,00	1
14	extension 25 mm	96259000	£ 79,00	1
15	extension 25 mm	95413000	£ 79,00	1
a	base body	10303180	£ 300,00	1
b	waste	50001000	£ 71,00	1