

AXOR Starck
Single lever bidet mixer with lever handle and pop-up waste set
 Finish: **Chrome** Article Number: **10214000**



product features

- consists of: single lever bidet mixer, waste set
- projection: 104 mm
- spout height: 65 mm
- aerator with ball pivot
- spray type: normal spray
- maximum flow rate at 3 bar: 7,5 l/min
- ceramic cartridge
- suitable for continous flow water heaters
- pop-up waste set G 1¼
- connection type: G ¾ connections
- connection dimension: DN15

Article Details

Price excl. VAT 308,33 £

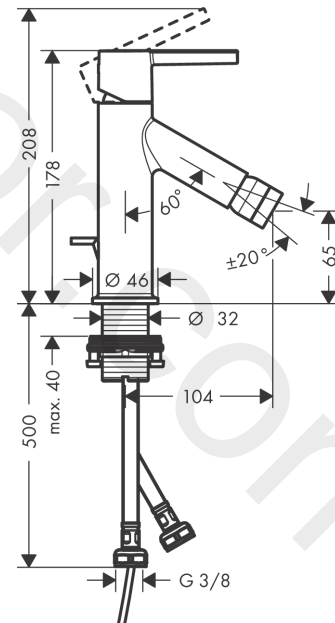
Technology



Product image



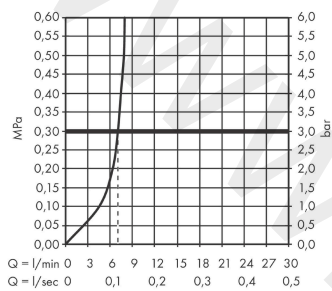
Scale drawing



AXOR Starck
Single lever bidet mixer with lever handle and pop-up waste set
Finish: **Chrome** Article Number: **10214000**



Flowchart

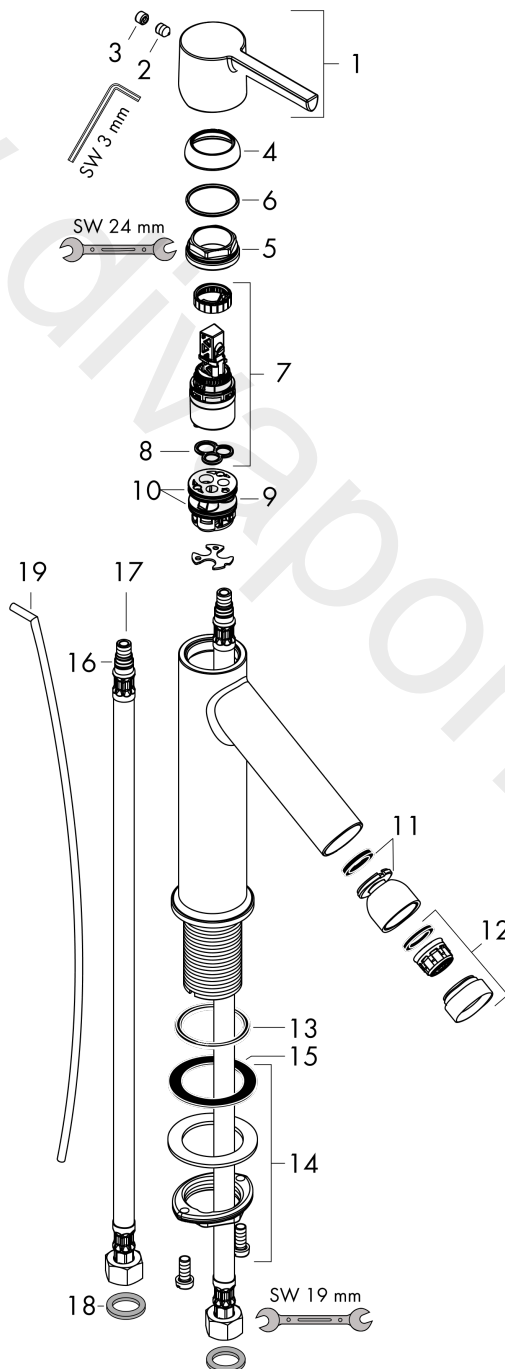


AXOR Starck
Single lever bidet mixer with lever handle and pop-up waste set
 Finish: **Chrome** Article Number: **10214000**



Exploded Drawing

Year of production: >10/15



AXOR Starck
Single lever bidet mixer with lever handle and pop-up waste set
 Finish: **Chrome** Article Number: **10214000**



Spare part list

Year of production: >10/15

Pos.		Article Number	Price	PU
1	handle	92385000	£ 51,00	1
2	hollow set screw M6x8	98444000	£ 3,30	1
3	screw cover	96762000	£ 3,30	1
4	flange	98863000	£ 51,00	1
5	nut	95178000	£ 43,00	1
6	O-Ring 22x2	98185000	£ 3,30	1
7	cartridge, assy	97685000	£ 64,00	1
8	seal	98865000	£ 35,00	1
9	adapter for cartridge	98866000	£ 35,00	1
10	O-ring 23x2	98398000	£ 3,30	1
11	ball joint	96050000	£ 43,00	1
12	aerator M24x1 (7 l/min)	94005000	£ 25,00	1
13	O-ring 34x4	98155000	£ 3,30	1
14	fixing set (Ø 32)	13961000	£ 25,00	1
15	lever collar	97548000	£ 3,30	1
16	connection hose 600 mm M8x0,75 G3/8	96556000	£ 25,00	1
17	O-ring 7x1,5	98422000	£ 3,30	1
18	sealing set	95581000	£ 6,10	1
19	pull rod	97158000	£ 25,00	1
a	pop up waste	94139000	£ 96,00	1
b	fixation extension 35 mm	13898000	£ 79,00	1