

AXOR Starck Classic
Single lever bidet mixer with pop-up waste set
 Finish: **Chrome** Article Number: **10200000**



product features

- consists of: single lever bidet mixer, waste set
- projection: 97 mm
- aerator with ball pivot
- spray type: normal spray
- maximum flow rate at 3 bar: 7,2 l/min
- ceramic cartridge
- suitable for continuous flow water heaters
- pop-up waste set G 1¼
- connection type: G ¾ connections
- connection dimension: DN15

Article Details

Price excl. VAT 991,67 £

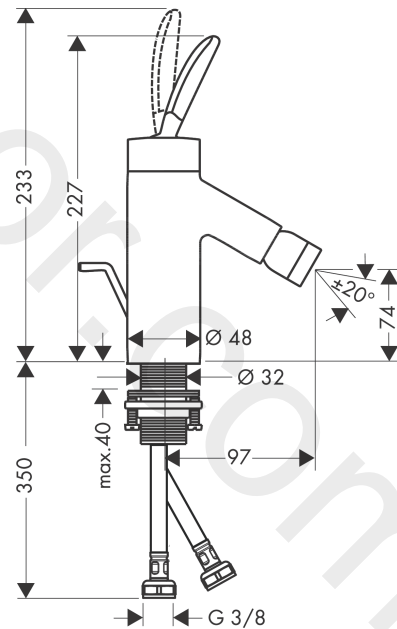
Technology



Product image



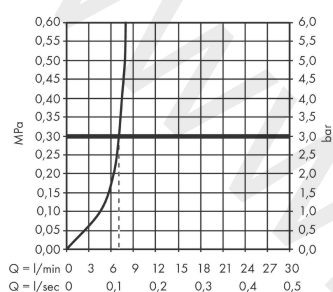
Scale drawing



AXOR Starck Classic
Single lever bidet mixer with pop-up waste set
Finish: **Chrome** Article Number: **10200000**



Flowchart

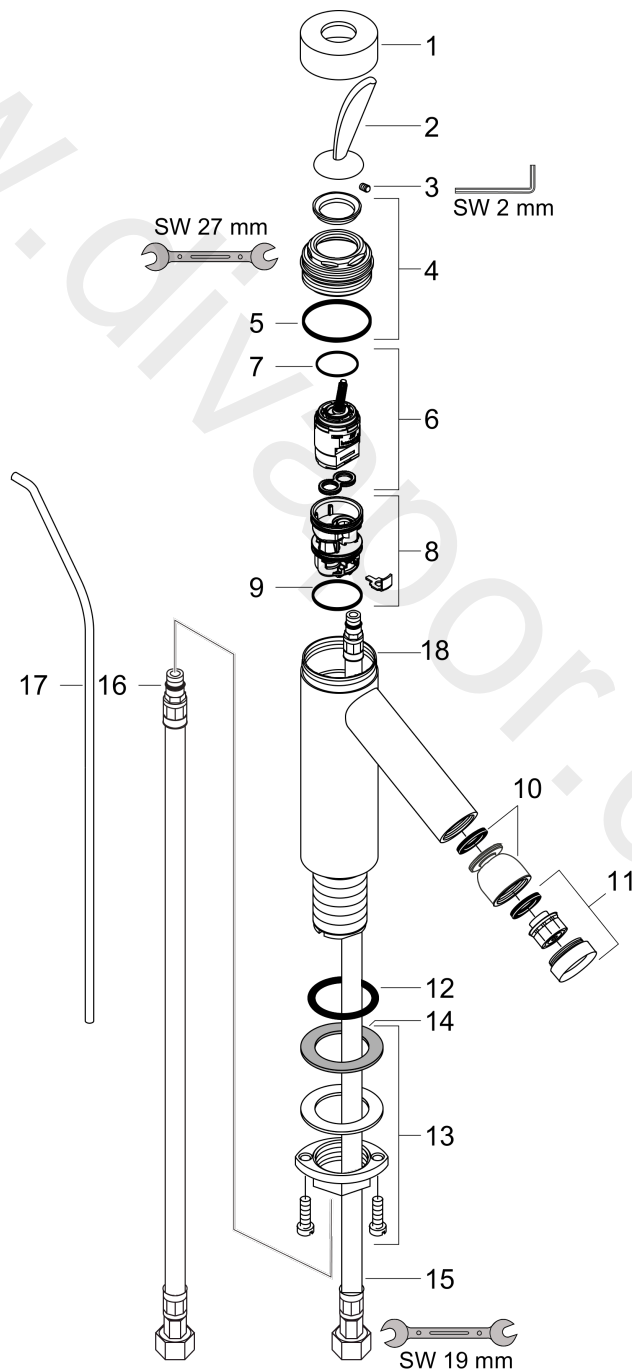


AXOR Starck Classic
Single lever bidet mixer with pop-up waste set
 Finish: **Chrome** Article Number: **10200000**



Exploded Drawing

Year of production: >11/12



AXOR Starck Classic
Single lever bidet mixer with pop-up waste set
 Finish: **Chrome** Article Number: **10200000**



Spare part list

Year of production: >11/12

Pos.		Article Number	Price	PU
1	flange	96427000	£ 25,00	1
2	handle	10090000	£ 64,00	1
3	hollow set screw M4x6	97767000	£ 3,30	1
4	nut	97157000	£ 20,50	1
5	O-Ring 30x2	98186000	£ 3,30	1
6	cartridge, assy	96339000	£ 79,00	1
7	O-ring 21,95x1,78	95169000	£ 3,30	1
8	adapter for cartridge	95289000	£ 25,00	1
9	O-ring 26x2	98147000	£ 3,30	1
10	ball joint	96050000	£ 43,00	1
11	aerator M24x1 (7 l/min)	94005000	£ 25,00	1
12	O-ring 34x4	98155000	£ 3,30	1
13	fixing set (Ø 32)	13961000	£ 25,00	1
14	lever collar	97548000	£ 3,30	1
15	connection hose 450 mm M8x0,75 G3/8	97206000	£ 35,00	1
16	O-ring 7x1,5	98422000	£ 3,30	1
17	pop up rod	94006000	£ 35,00	1
18	O-ring 42x1,5	98171000	£ 3,30	1
a	pop up waste	94139000	£ 96,00	1
b	fixation extension 35 mm	13898000	£ 79,00	1
c	service tool for disassembling the handle	92124000	£ 137,00	1