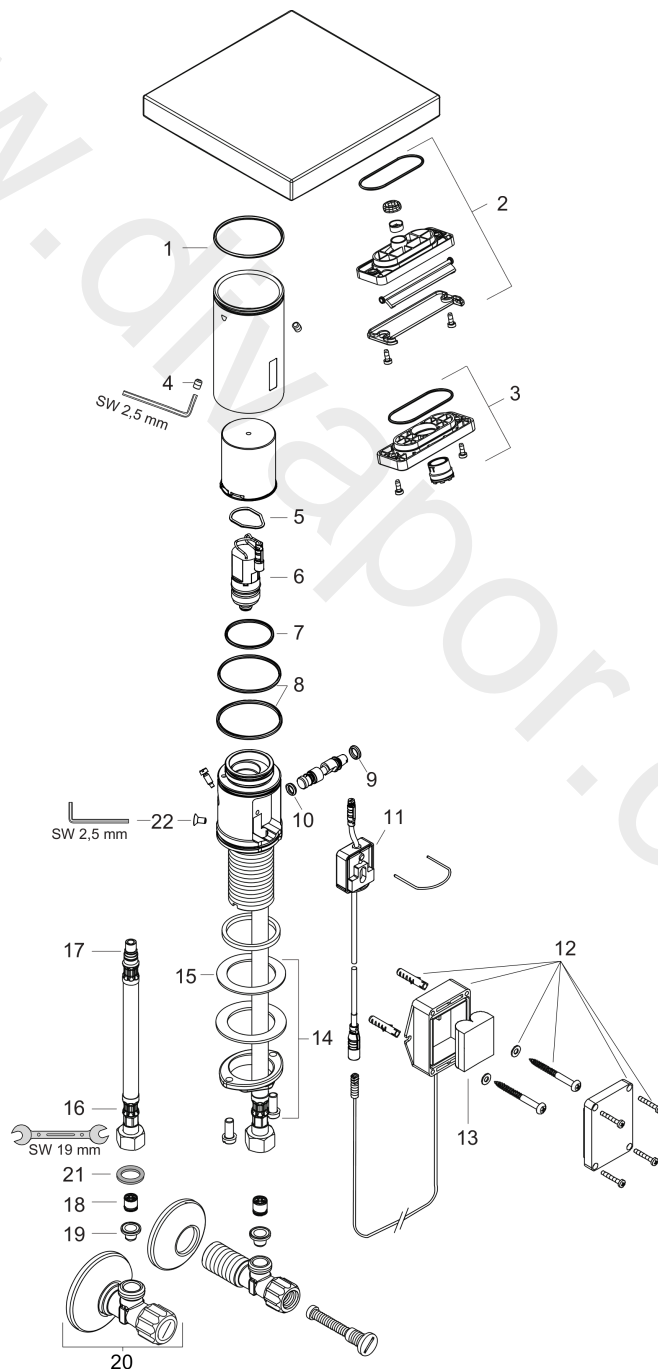


**AXOR Starck X**  
**Electronic basin mixer with temperature pre-adjustment battery-operated**  
 Surfaces: Article Number: **10175000**



## Exploded Drawing

Year of production: **07/14 - 08/14**



## AXOR Starck X

Electronic basin mixer with temperature pre-adjustment battery-operated

Surfaces: Article Number: **10175000**



### Spare part list

Year of production: **07/14 - 08/14**

Pos.		Article Number	Price	PU
1	O-Ring 46x2	98195000	£ 3,30	1
2	spray former	98867000	£ 16,10	1
3	aerator laminar (7 l/min)	98610000	£ 43,00	1
4	hollow set screw M5x6	97768000	£ 3,30	1
5	solenoid valve	95654000	£ 173,00	1
6	O-ring 31x2	98204000	£ 6,10	1
7	O-ring 41x2	98212000	£ 3,30	1
8	mixing shaft	92209000	£ 64,00	1
9	O-ring 6x2	98458000	£ 3,30	1
10	O-ring 5x2	98215000	£ 3,30	1
11	electronics	92370000	£ 173,00	1
12	battery box	98801000	£ 51,00	1
13	battery CR-P2 / 6V lithium	97399000	-	1
14	fixing set (Ø 32)	13961000	£ 25,00	1
15	lever collar	97548000	£ 3,30	1
16	connection hose 450 mm M8x0,75 G3/8	98809000	£ 51,00	1
17	O-ring 7x1,5	98422000	£ 3,30	1
18	non return valve DW 10	96456000	£ 9,00	1
19	filter packing	95291000	£ 13,30	1
20	angle valve with microfilter	13904000	£ 48,00	1
21	sealing set	95581000	£ 6,10	1
22	screw	93272000	£ 3,30	1
a	fixation extension 35 mm	13898000	£ 79,00	1