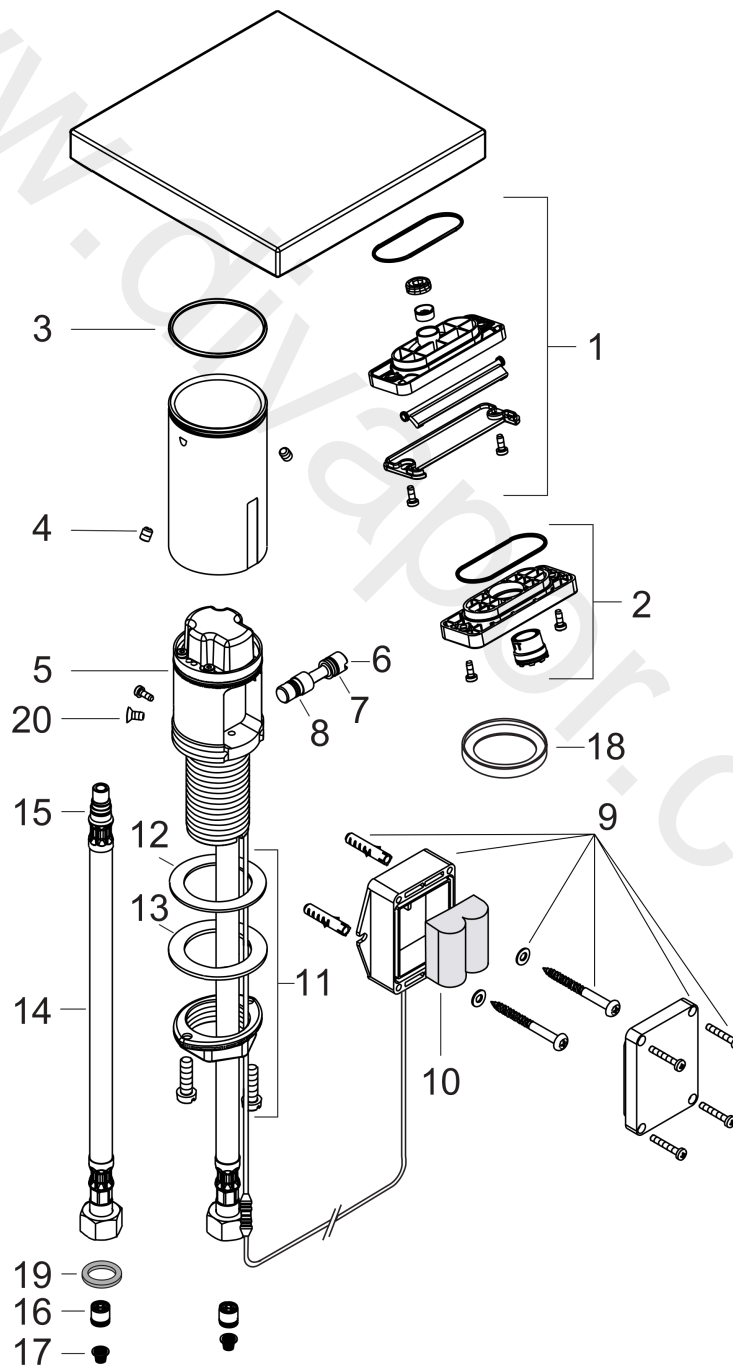


**AXOR Starck X**  
**Electronic basin mixer with temperature pre-adjustment battery-operated**  
 Surfaces: Article Number: **10175000**



## Exploded Drawing

Year of production: **06/07 - 03/10**



**AXOR Starck X**  
**Electronic basin mixer with temperature pre-adjustment battery-operated**  
 Surfaces: Article Number: **10175000**



## Spare part list

Year of production: **06/07 - 03/10**

Pos.		Article Number	Price	PU
1	spray former	98867000	£ 16,10	1
2	aerator laminar (7 l/min)	98610000	£ 43,00	1
3	O-Ring 46x2	98195000	£ 3,30	1
4	hollow set screw M5x6	97768000	£ 3,30	1
5	electronics incl. solenoid valve	98849000	£ 585,00	1
6	mixing shaft	92209000	£ 64,00	1
7	O-ring 6x2	98458000	£ 3,30	1
8	O-ring 5x2	98215000	£ 3,30	1
9	battery box	98801000	£ 51,00	1
10	battery CR-P2 / 6V lithium	97399000	-	1
11	fixing set (Ø 32)	13961000	£ 25,00	1
12	sealing washer	97825000	£ 3,30	1
13	lever collar	97548000	£ 3,30	1
14	connection hose 450 mm M8x0,75 G3/8	98809000	£ 51,00	1
15	O-ring 7x1,5	98422000	£ 3,30	1
16	non return valve DW 10	96456000	£ 9,00	1
17	filter packing	95291000	£ 13,30	1
18	adapter	97693000	£ 96,00	1
19	sealing set	95581000	£ 6,10	1
20	screw	93272000	£ 3,30	1
a	angle valve with microfilter	13904000	£ 48,00	1
b	fixation extension 35 mm	13898000	£ 79,00	1