

AXOR Starck X

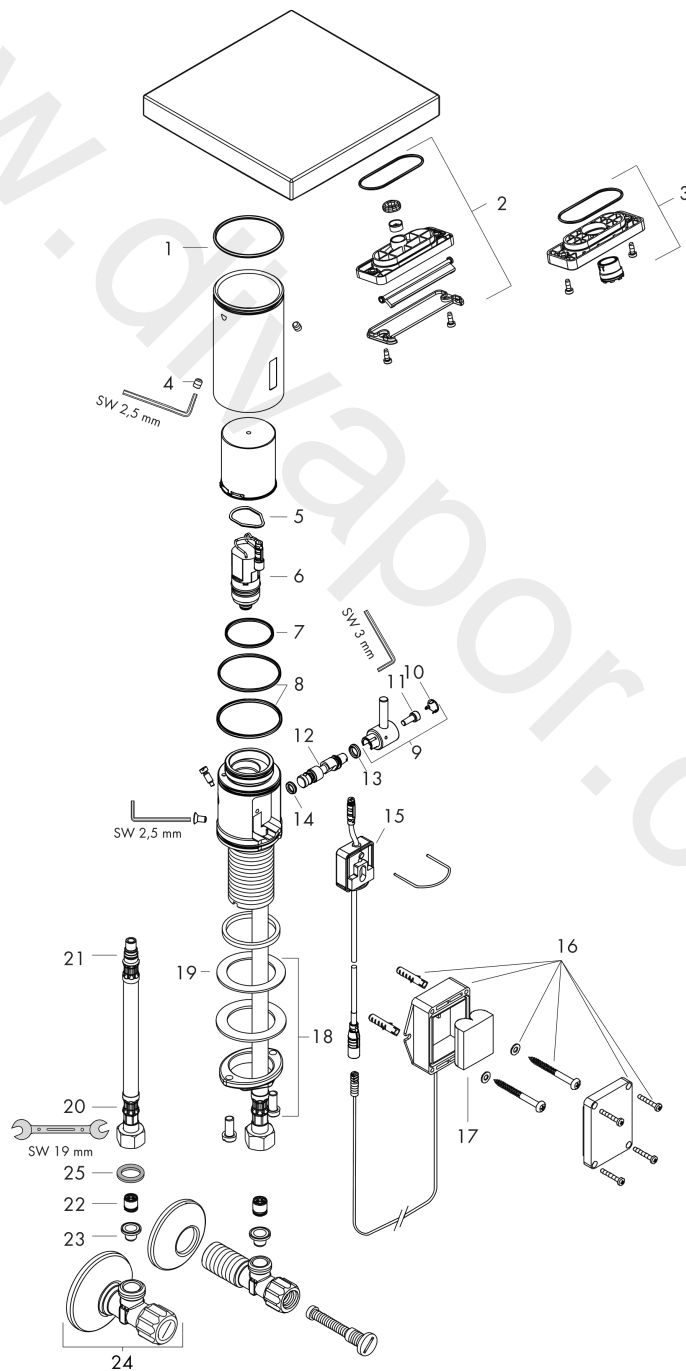
Electronic basin mixer with temperature control battery-operated

Surfaces: Article Number: 10170000



Exploded Drawing

Year of production: 07/14 - 08/14



AXOR Starck X

Electronic basin mixer with temperature control battery-operated

Surfaces: Article Number: **10170000**



Spare part list

Year of production: **07/14 - 08/14**

Pos.		Article Number	Price	PU
1	spray former	98867000	£ 16,10	1
2	aerator laminar (7 l/min)	98610000	£ 43,00	1
3	O-Ring 46x2	98195000	£ 3,30	1
4	hollow set screw M5x6	97768000	£ 3,30	1
5	O-ring 17x2	98199000	£ 3,30	1
6	solenoid valve	95654000	£ 173,00	1
7	O-ring 31x2	98204000	£ 6,10	1
8	O-ring 41x2	98212000	£ 3,30	1
9	sliding gear lever	92378000	£ 79,00	1
10	cover cap	95433000	£ 6,10	1
11	hexagon socket screw M4x10	97661000	£ 6,10	1
12	mixing shaft	92377000	£ 79,00	1
13	O-ring 6x2	98458000	£ 3,30	1
14	O-ring 5x2	98215000	£ 3,30	1
15	electronics	92370000	£ 173,00	1
16	battery box	98801000	£ 51,00	1
17	battery CR-P2 / 6V lithium	97399000	-	1
18	fixing set (Ø 32)	13961000	£ 25,00	1
19	lever collar	97548000	£ 3,30	1
20	connection hose 450 mm M8x0,75 G3/8	98809000	£ 51,00	1
21	O-ring 7x1,5	98422000	£ 3,30	1
22	non return valve DW 10	96456000	£ 9,00	1
23	filter packing	95291000	£ 13,30	1
24	angle valve with microfilter	13904000	£ 48,00	1
25	sealing set	95581000	£ 6,10	1