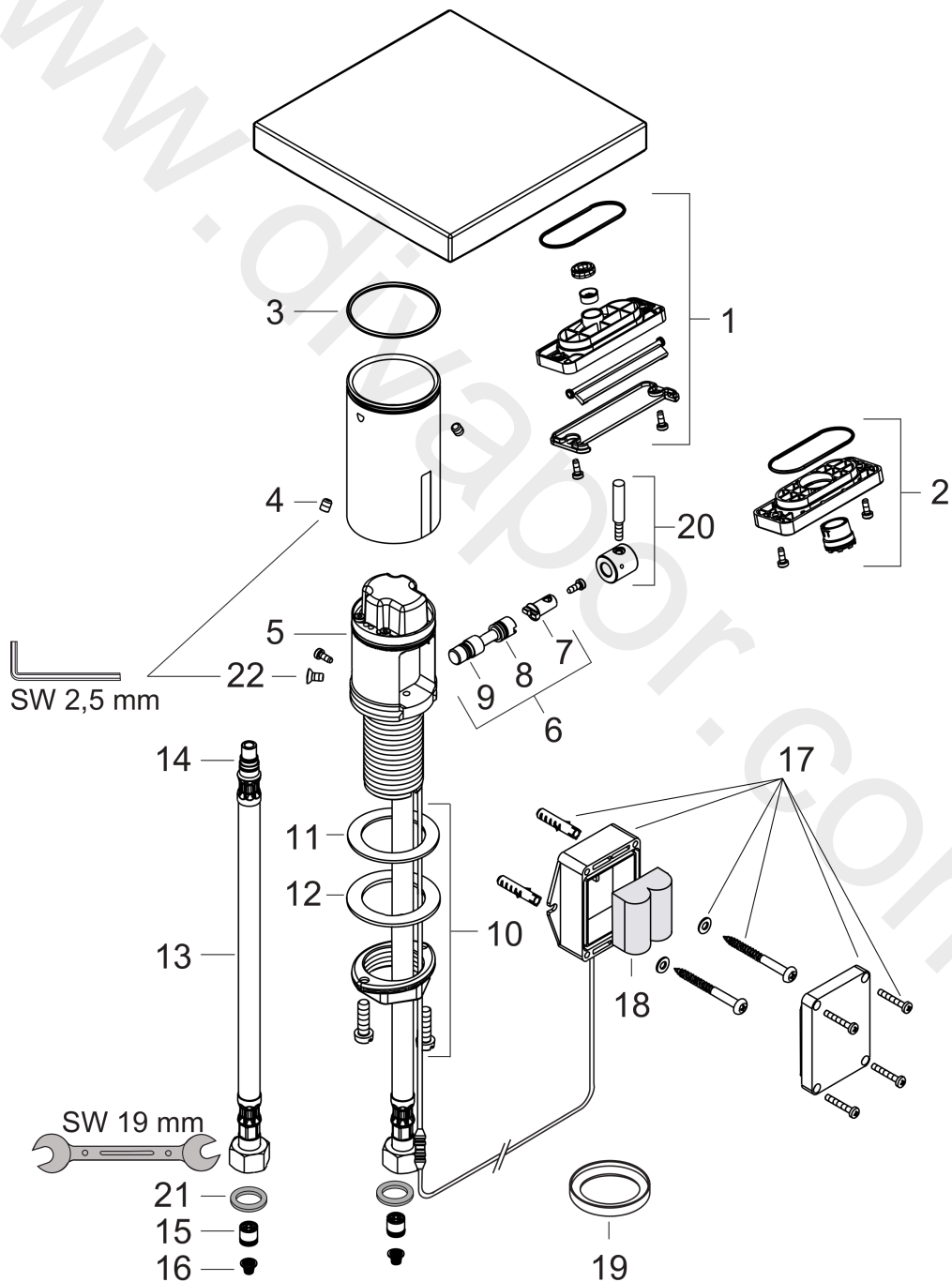


AXOR Starck X
Electronic basin mixer with temperature control battery-operated
 Surfaces: Article Number: **10170000**



Exploded Drawing

Year of production: **06/07 - 03/10**



AXOR Starck X

Electronic basin mixer with temperature control battery-operated

Surfaces: Article Number: **10170000**



Spare part list

Year of production: **06/07 - 03/10**

Pos.		Article Number	Price	PU
1	spray former	98867000	£ 16,10	1
2	aerator laminar (7 l/min)	98610000	£ 43,00	1
3	O-Ring 46x2	98195000	£ 3,30	1
4	hollow set screw M5x6	97768000	£ 3,30	1
5	electronics incl. solenoid valve	98849000	£ 585,00	1
6	mixing shaft	92209000	£ 64,00	1
7	O-ring 7x2	98419000	£ 3,30	1
8	O-ring 6x2	98458000	£ 3,30	1
9	O-ring 5x2	98215000	£ 3,30	1
10	fixing set (Ø 32)	13961000	£ 25,00	1
11	sealing washer	97825000	£ 3,30	1
12	lever collar	97548000	£ 3,30	1
13	connection hose 450 mm M8x0,75 G3/8	98809000	£ 51,00	1
14	O-ring 7x1,5	98422000	£ 3,30	1
15	non return valve DW 10	96456000	£ 9,00	1
16	filter packing	95291000	£ 13,30	1
17	battery CR-P2 / 6V lithium	97399000	-	1
18	battery box	98801000	£ 51,00	1
19	adapter	97693000	£ 96,00	1
20	sliding gear lever	92384000	£ 96,00	1
21	sealing set	95581000	£ 6,10	1
22	screw	93272000	£ 3,30	1
a	angle valve with microfilter	13904000	£ 48,00	1
b	fixation extension 35 mm	13898000	£ 79,00	1