

## AXOR Starck X

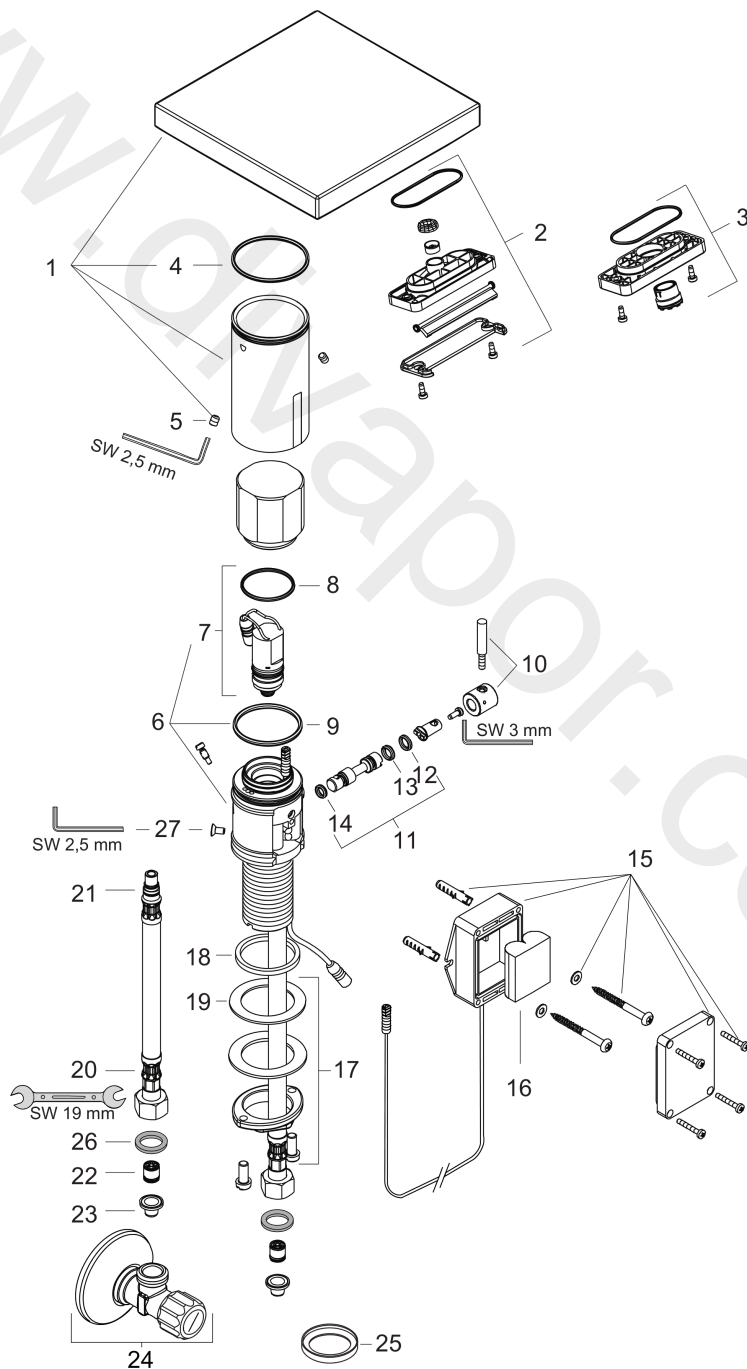
Electronic basin mixer with temperature control battery-operated

Surfaces: Article Number: 10170000



### Exploded Drawing

Year of production: 04/10 - 06/14



## AXOR Starck X

Electronic basin mixer with temperature control battery-operated

Surfaces: Article Number: **10170000**



### Spare part list

Year of production: **04/10 - 06/14**

Pos.		Article Number	Price	PU
1	mixer-hood	92303000	£ 830,00	1
2	spray former	98867000	£ 16,10	1
3	aerator laminar (7 l/min)	98610000	£ 43,00	1
4	O-Ring 46x2	98195000	£ 3,30	1
5	hollow set screw M5x6	97768000	£ 3,30	1
6	electronics incl. solenoid valve	98849000	£ 585,00	1
7	solenoid valve	95654000	£ 173,00	1
8	O-ring 31x2	98204000	£ 6,10	1
9	O-ring 40x2,5	98399000	£ 3,30	1
10	sliding gear lever	92384000	£ 96,00	1
11	mixing shaft	92209000	£ 64,00	1
12	O-ring 7x2	98419000	£ 3,30	1
13	O-ring 6x2	98458000	£ 3,30	1
14	O-ring 5x2	98215000	£ 3,30	1
15	battery box	98801000	£ 51,00	1
16	battery CR-P2 / 6V lithium	97399000	-	1
17	fixing set (Ø 32)	13961000	£ 25,00	1
18	sealing washer	97825000	£ 3,30	1
19	lever collar	97548000	£ 3,30	1
20	connection hose 450 mm M8x0,75 G3/8	98809000	£ 51,00	1
21	O-ring 7x1,5	98422000	£ 3,30	1
22	non return valve DW 10	96456000	£ 9,00	1
23	filter packing	95291000	£ 13,30	1
24	angle valve with microfilter	13904000	£ 48,00	1
25	adapter	97693000	£ 96,00	1
26	sealing set	95581000	£ 6,10	1
27	screw	93272000	£ 3,30	1
a	fixation extension 35 mm	13898000	£ 79,00	1