

AXOR Starck

Electronic basin mixer with temperature pre-adjustment with mains connection 230 V

Finish: **Chrome** Article Number: **10145000**



product features

- ComfortZone 90
- projection: 103 mm
- spray type: normal spray
- maximum flow rate at 3 bar: 5 l/min
- temperature pre-adjustable
- suitable for continuous flow water heaters
- infrared sensor technology
- automatic environmental adjustment of infrared sensor
- adjustable optical range of infrared sensor (2 settings)
- 230 V / 50 Hz mains connection
- running time: 10 s
- hygiene rinse activatable (automatic water flow)
- frequency of hygiene rinse: 24 h
- flushing time hygiene rinse: 10 s
- permanent rinse activatable (single water flow for 180 seconds, suitable for thermal disinfection)
- cleaning mode: manual water stop for washbasin cleaning
- connection dimension: DN15
- TÜV certified
- dirt filters in the connection hoses
- WRAS 2304069 - Approval letter 2304069

Article Details

Price excl. VAT

883,33 £

Technology



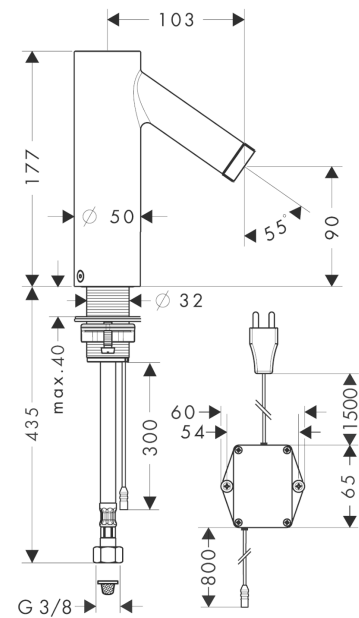
AXOR Starck
Electronic basin mixer with temperature pre-adjustment with mains connection 230 V
 Finish: **Chrome** Article Number: **10145000**



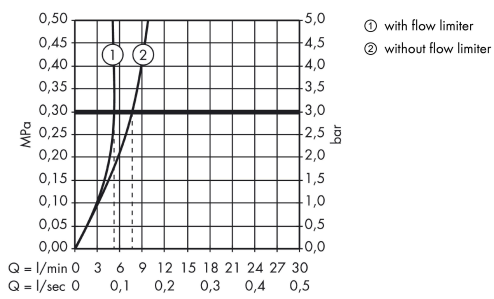
Product image



Scale drawing



Flowchart

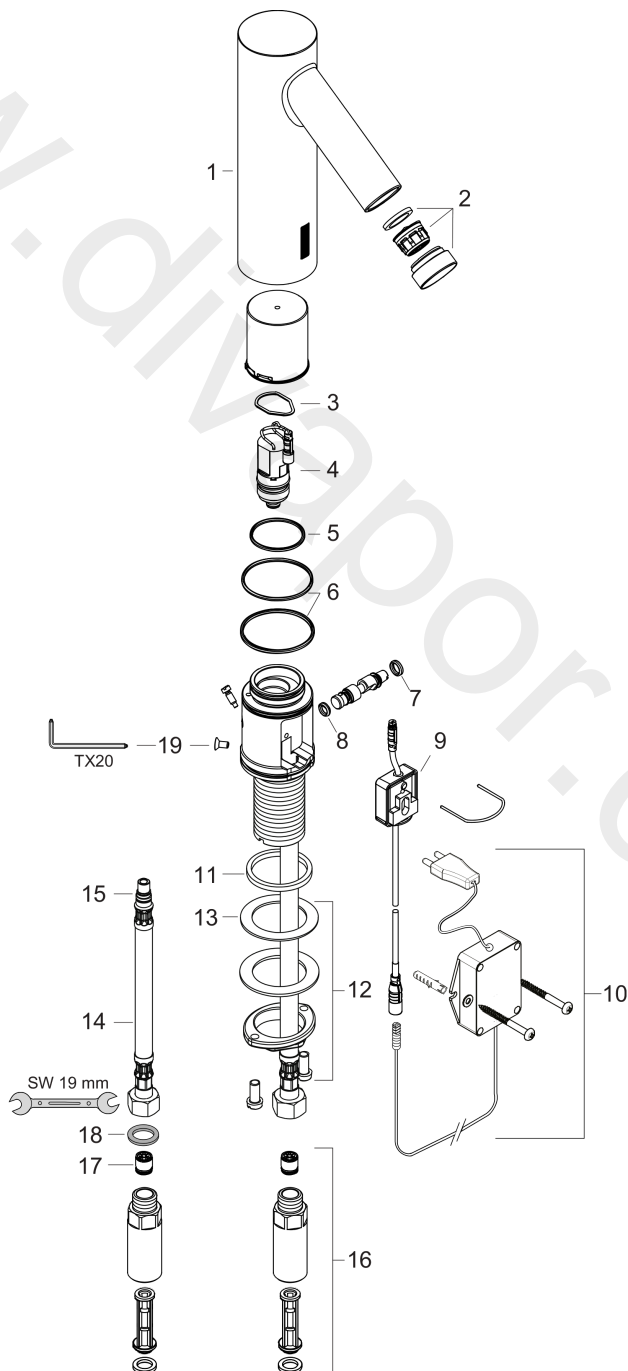


AXOR Starck
Electronic basin mixer with temperature pre-adjustment with mains connection 230 V
 Finish: **Chrome** Article Number: **10145000**



Exploded Drawing

Year of production: >02/16



AXOR Starck
Electronic basin mixer with temperature pre-adjustment with mains connection 230 V
 Finish: **Chrome** Article Number: **10145000**



Spare part list

Year of production: >02/16

Pos.		Article Number	Price	PU
1	mixer-hood	92302000	£ 370,00	1
2	aerator M24x1 (5 l/min)	95379000	£ 43,00	1
3	O-ring 17x2	98199000	£ 3,30	1
4	solenoid valve	95654000	£ 173,00	1
5	O-ring 31x2	98204000	£ 6,10	1
6	O-ring 41x2	98212000	£ 3,30	1
7	O-ring 6x2	98458000	£ 3,30	1
8	O-ring 5x2	98215000	£ 3,30	1
9	electronics	92346000	£ 173,00	1
10	transformer	98800000	£ 173,00	1
11	flat seal	98749000	£ 6,10	1
12	fixing set (Ø 32)	13961000	£ 25,00	1
13	lever collar	97548000	£ 3,30	1
14	connection hose 450 mm M8x0,75 G3/8	98809000	£ 51,00	1
15	O-ring 7x1,5	98422000	£ 3,30	1
16	back flow preventor cartridge with microfilter	92297000	£ 96,00	1
17	sealing set	95581000	£ 6,10	1
18	non return valve DW 10	96456000	£ 9,00	1
19	screw	93272000	£ 3,30	1
a	fixation extension 35 mm	13898000	£ 79,00	1