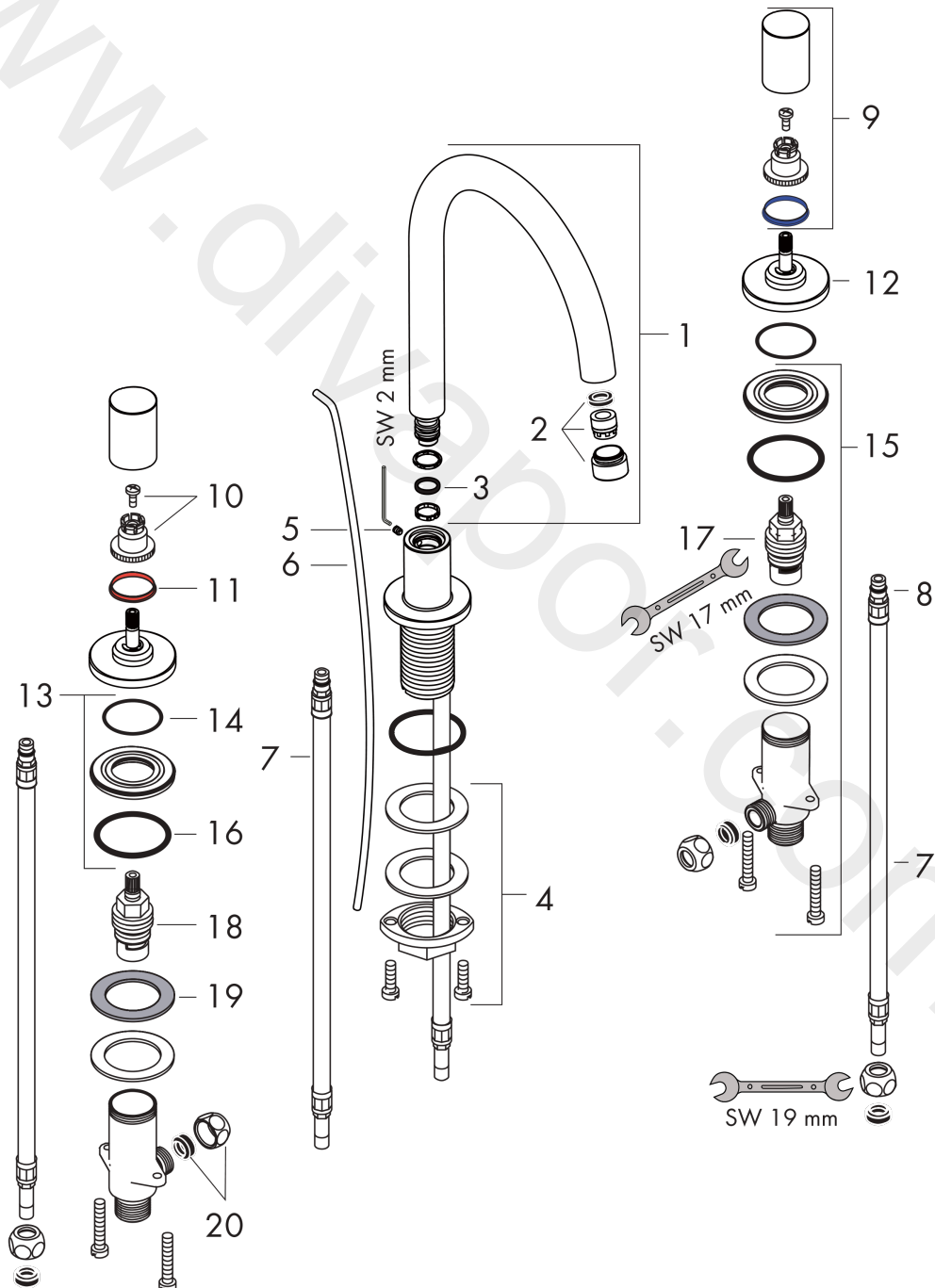


**AXOR Starck**  
**3-Hole Basin Mixer DN15**  
 Surfaces: Article Number: **10135810**



## Exploded Drawing

Year of production: **06/04 - 07/07**



**AXOR Starck**  
**3-Hole Basin Mixer DN15**  
 Surfaces: Article Number: **10135810**



## Spare part list

Year of production: **06/04 - 07/07**

Pos.		Article Number	Price	PU
1	spout cpl.	97363810	£ 275,00	1
2	aerator laminar M18x1 (7 l/min)	96911810	£ 64,00	1
3	O-ring 11x2	98127000	£ 3,30	1
4	fixing set (Ø 32)	13961000	£ 25,00	1
5	hollow set screw M4x5	98731000	£ 3,30	1
6	pull rod	96657000	£ 13,30	1
7	connection hose 450 mm M10x1 G3/8	96507000	£ 43,00	1
8	O-ring 8x1,75	97827XXX	> £ 3,30	-
9	handle	96318810	£ 137,00	1
10	handle fixing set	94184000	£ 6,10	1
11	set of color-rings cold / hot water	96319000	£ 9,00	1
12	escutcheon Ø 52 mm	97285810	-	1
13	nut	92854000	£ 20,50	1
14	O-ring 40x3	92634000	£ 3,30	1
15	stop valve cpl.	97357000	£ 137,00	1
16	O-Ring 32x2,5	96364000	£ 25,00	1
17	shut off unit left closing	94008000	£ 43,00	1
18	shut off unit right closing	94009000	£ 43,00	1
19	lever collar	97548000	£ 3,30	1
20	squeezing connection	94158000	£ 9,00	1
a	pop up waste	94139810	£ 173,00	1
b	fixation extension 35 mm	13898000	£ 79,00	1
c	lever collar	92849000	£ 9,00	1