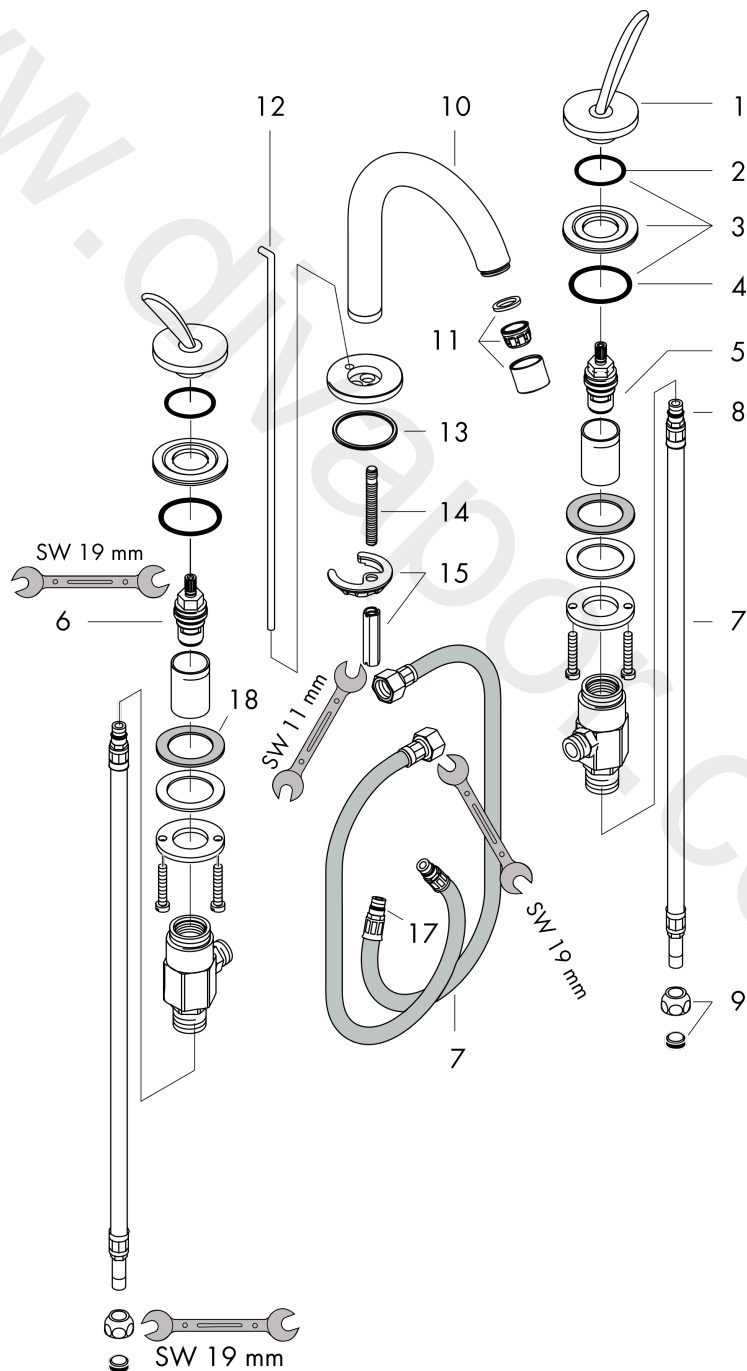


**AXOR Starck Classic**  
**3-hole basin mixer 90 with pop-up waste set**  
 Surfaces: Article Number: **10133000**



## Exploded Drawing

Year of production: **03/10 - 09/10**



**AXOR Starck Classic**  
**3-hole basin mixer 90 with pop-up waste set**  
 Surfaces: Article Number: **10133000**



## Spare part list

Year of production: **03/10 - 09/10**

Pos.		Article Number	Price	PU
1	handle	10091000	£ 173,00	1
2	O-Ring 32x2,5	96364000	£ 25,00	1
3	nut	95564000	£ 20,50	1
4	O-ring 40x3	92634000	£ 3,30	1
5	shut off unit left closing	94008000	£ 43,00	1
6	shut off unit right closing	94009000	£ 43,00	1
7	connection hose 450 mm M10x1 G3/8	96507000	£ 43,00	1
8	O-ring 8x1,75	97827000	£ 3,30	1
9	squeezing connection	94158000	£ 9,00	1
10	spout cpl.	94014000	£ 224,00	1
11	aerator M22x1 (5 l/min)	95455000	£ 35,00	1
12	pull rod	94083000	£ 35,00	1
13	O-ring 41x3	98484000	-	1
14	screw M8 x 68	97736000	£ 6,10	1
15	fixing set	94701000	£ 43,00	1
16	connection hose 450 mm M8x0,75 G3/8	97206000	£ 35,00	1
17	O-ring 7x1,5	98422000	£ 3,30	1
18	lever collar	97548000	£ 3,30	1
a	pop up waste	94139000	£ 96,00	1
b	stop valve cpl.	97357000	£ 137,00	1