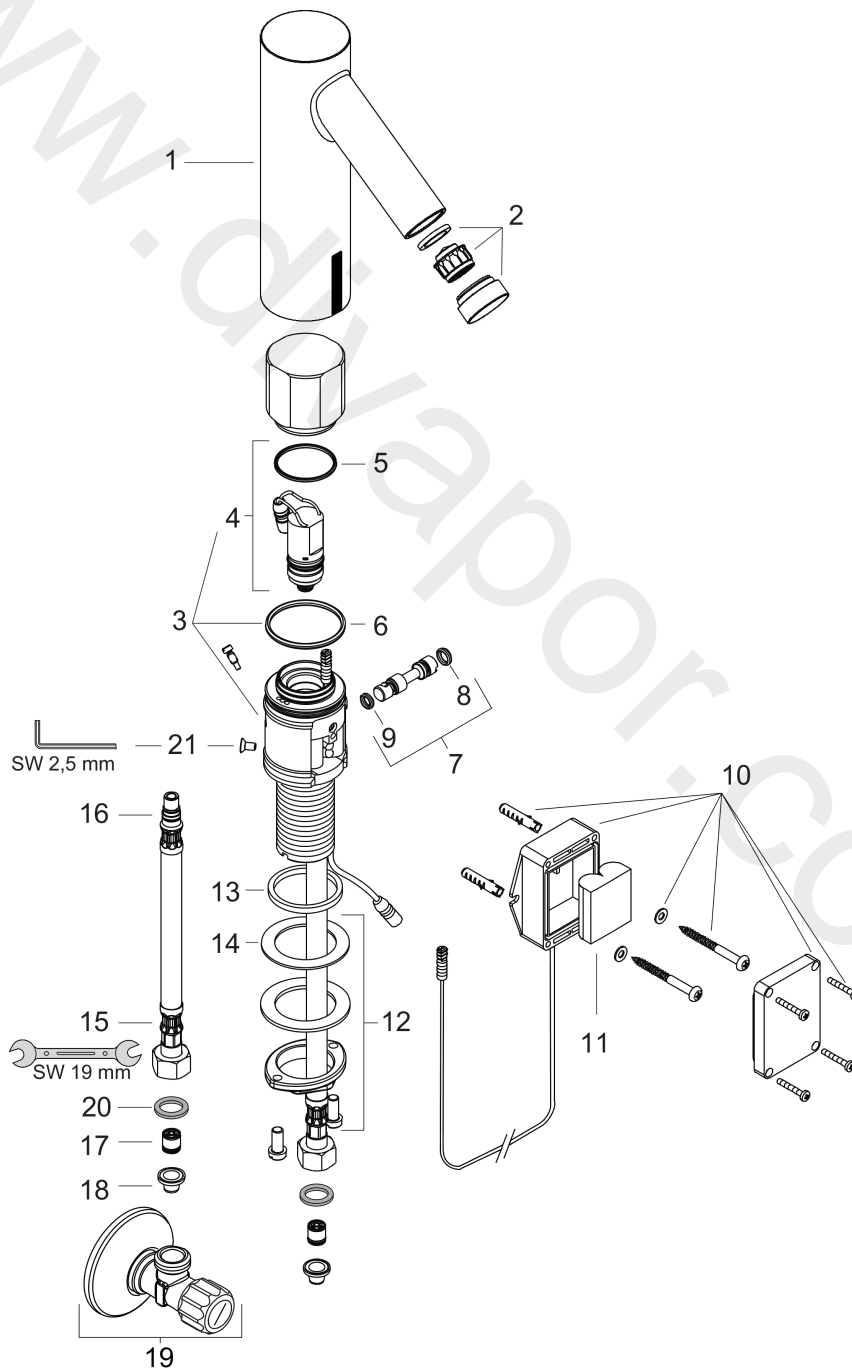


AXOR Starck
Electronic basin mixer with temperature pre-adjustment battery-operated
 Surfaces: Article Number: **10106800**



Exploded Drawing

Year of production: **04/10 - 12/13**



AXOR Starck

Electronic basin mixer with temperature pre-adjustment battery-operated

Surfaces: Article Number: **10106800**



Spare part list

Year of production: **04/10 - 12/13**

Pos.		Article Number	Price	PU
1	mixer-hood	92302800	£ 445,00	1
2	aerator M24x1 (5 l/min)	95379800	£ 51,00	1
3	electronics incl. solenoid valve	98799000	£ 585,00	1
4	solenoid valve	95654000	£ 173,00	1
5	O-ring 31x2	98204000	£ 6,10	1
6	O-ring 40x2,5	98399000	£ 3,30	1
7	mixing shaft	92209000	£ 64,00	1
8	O-ring 5x2	98215000	£ 3,30	1
9	O-ring 6x2	98458000	£ 3,30	1
10	battery box	98801000	£ 51,00	1
11	battery CR-P2 / 6V lithium	97399000	-	1
12	fixing set (Ø 32)	13961000	£ 25,00	1
13	sealing washer	97825000	£ 3,30	1
14	lever collar	97548000	£ 3,30	1
15	connection hose 450 mm M8x0,75 G3/8	98809000	£ 51,00	1
16	O-ring 7x1,5	98422000	£ 3,30	1
17	non return valve DW 10	96456000	£ 9,00	1
18	filter packing	95291000	£ 13,30	1
19	angle valve with microfilter	13904000	£ 48,00	1
20	sealing set	95581000	£ 6,10	1
a	fixation extension 35 mm	13898000	£ 79,00	1