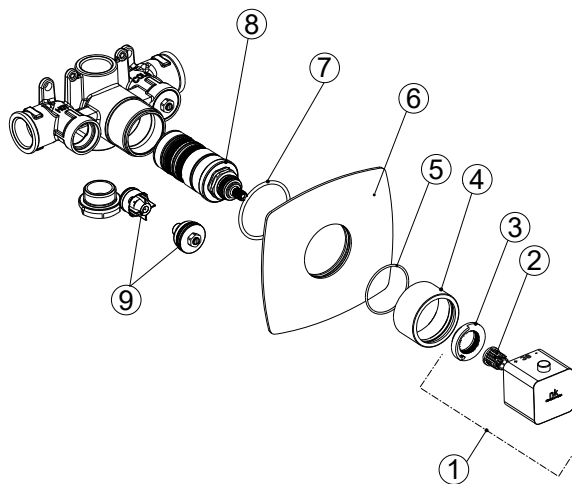
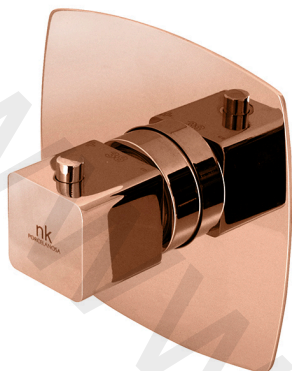


100209817 copper

Concealed thermostatic 3/4" with wax thermostatic element. Built in non-return valve. Safety stop at 38°C . Flow rate 57,9 l/min. at 3 bar. It is required to order this item with at least one wall mounted stop valve.



Extension kit

OPTION	SAP	FINISH	DIMENSION
1	100295495	COPPER	30 mm

Spare parts

POS.	SAP	ART.	RRP*
1	100302020	MAN TEMPERATURA TERMOST. LOUNGE COBRE	-
2	100066742	INSERTO PLASTICO MEZCLAD.TERMO.CLIP13X20	-
3	100046424	ANILLO LIMIT.TEMP.TERM.BASIC	-
4	100266868	FIXING SINGLE THERM. LOUNGE COPPER	-
5	100103128	O-RING FRONT SOFT THERMOSTATIC	-
6	100266817	PLATE SINGLE THERMOSTATIC LOUNGE COPPER	-
7	100103129	O-RING BACK SOFT	-
8	100039544	MONTURA REGULAD.TEMPERATURA FUTURE	-
9	100060455	FILTRO TERMOST. ENC. BASIC	-