

AXOR Starck Classic
Single lever basin mixer 60 for hand wash basins with pop-up waste set
 Finish: **Chrome** Article Number: **10015000**



product features

- consists of: single lever basin mixer, waste set
- ComfortZone 60
- projection: 76 mm
- spray type: normal spray
- maximum flow rate at 3 bar: 5 l/min
- ceramic cartridge
- suitable for continuous flow water heaters
- pop-up waste set G 1¼
- connection type: G ¾ connections
- connection dimension: DN15
- WRAS 2001090
- WRAS 2001090 - 20200207_WRAS_approval_letter_33202

Article Details

Price excl. VAT 691,67 £

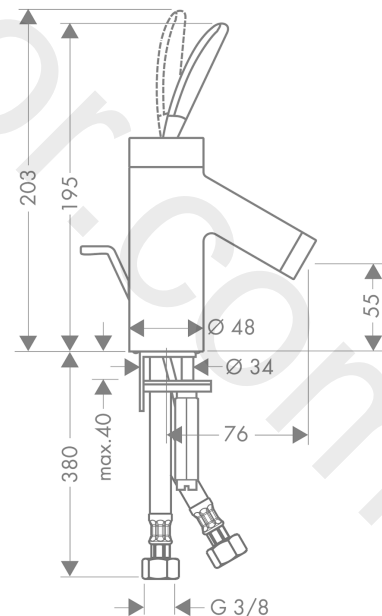
Technology



Product image



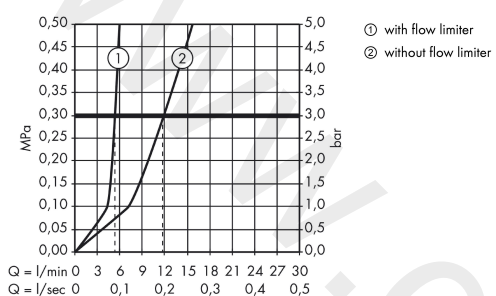
Scale drawing



AXOR Starck Classic
Single lever basin mixer 60 for hand wash basins with pop-up waste set
 Finish: **Chrome** Article Number: **10015000**



Flowchart

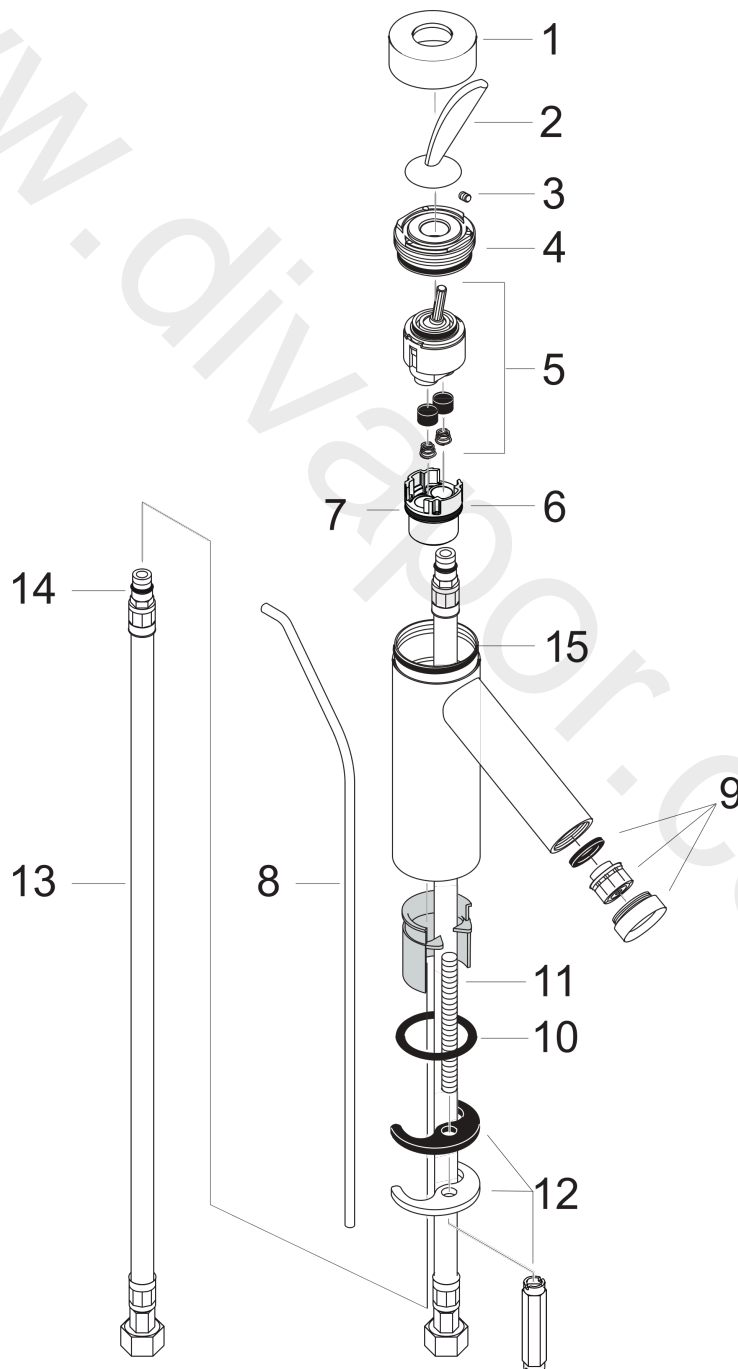


AXOR Starck Classic
Single lever basin mixer 60 for hand wash basins with pop-up waste set
Finish: **Chrome** Article Number: **10015000**



Exploded Drawing

Year of production: >10/10



AXOR Starck Classic
Single lever basin mixer 60 for hand wash basins with pop-up waste set
 Finish: **Chrome** Article Number: **10015000**



Spare part list

Year of production: >10/10

Pos.		Article Number	Price	PU
1	flange	96427000	£ 25,00	1
2	handle	10090000	£ 64,00	1
3	hollow set screw M4x6	97767000	£ 3,30	1
4	nut	97717000	£ 35,00	1
5	cartridge, assy	96339000	£ 79,00	1
6	O-ring 26x2	98147000	£ 3,30	1
7	adapter for cartridge	97396000	£ 16,10	1
8	pop up rod	94006000	£ 35,00	1
9	aerator M24x1 (5 l/min)	95379000	£ 43,00	1
10	O-ring 34x4	98155000	£ 3,30	1
11	screw M8 x 68	97736000	£ 6,10	1
12	fixing set	96016000	£ 35,00	1
13	connection hose 450 mm M8x0,75 G3/8	97206000	£ 35,00	1
14	O-ring 7x1,5	98422000	£ 3,30	1
15	O-ring 42x1,5	98171000	£ 3,30	1
a	lever arm 340mm (ball-Ø12mm)	96324000	£ 25,00	1
b	pop up waste	94139000	£ 96,00	1
c	service tool for disassembling the handle	92124000	£ 137,00	1