

AXOR Starck Classic
Single lever basin mixer 70 with pop-up waste set
 Finish: **Chrome** Article Number: **10010000**



product features

- consists of: single lever basin mixer, waste set
- ComfortZone 70
- projection: 106 mm
- spout height: 74 mm
- handle variant: pin handle
- spray type: normal spray
- maximum flow rate at 3 bar: 5 l/min
- ceramic cartridge
- suitable for continuous flow water heaters
- pop-up waste set G 1¼
- connection type: G ¾ connections
- connection dimension: DN15
- WRAS 2303038
- WRAS 2303038 - Approval letter 2303038

Article Details

Price excl. VAT

491,67 £

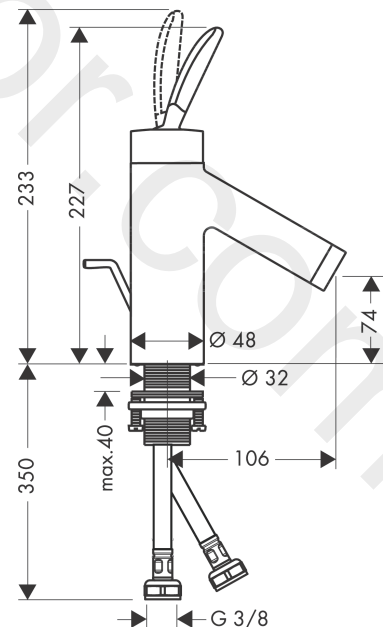
Technology



Product image



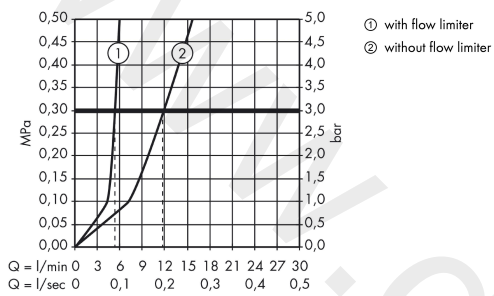
Scale drawing



AXOR Starck Classic
Single lever basin mixer 70 with pop-up waste set
 Finish: **Chrome** Article Number: **10010000**



Flowchart

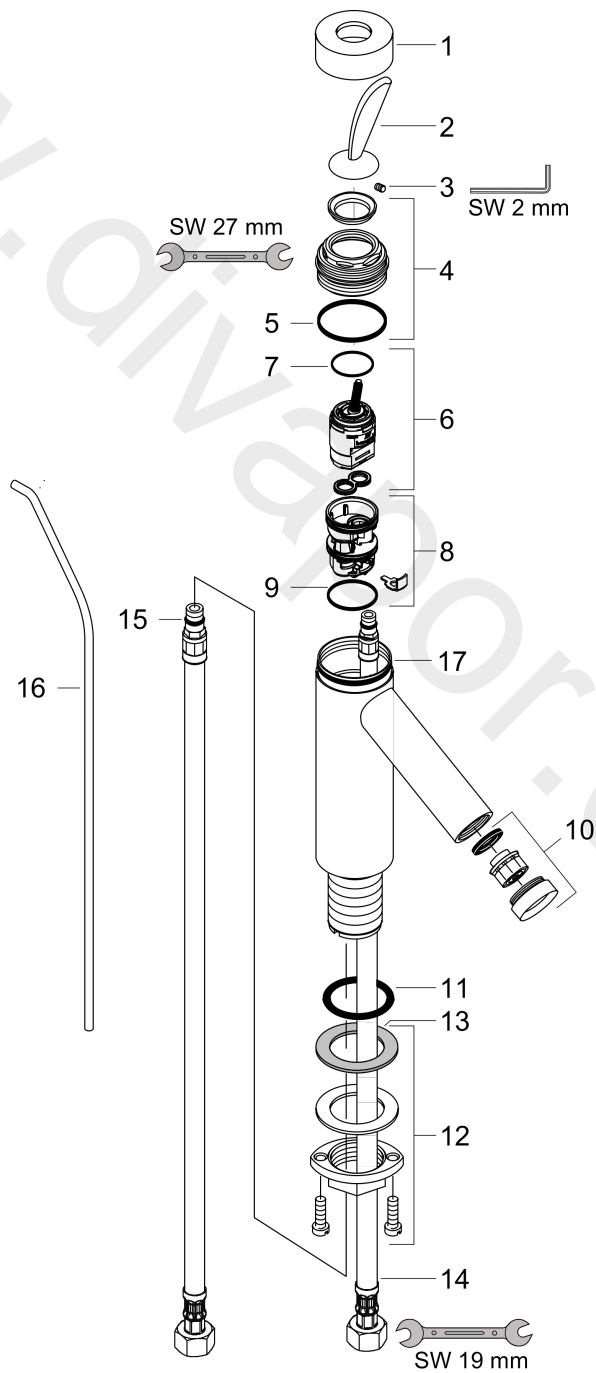


AXOR Starck Classic
Single lever basin mixer 70 with pop-up waste set
Finish: **Chrome** Article Number: **10010000**



Exploded Drawing

Year of production: >09/12



AXOR Starck Classic
Single lever basin mixer 70 with pop-up waste set
 Finish: **Chrome** Article Number: **10010000**



Spare part list

Year of production: >09/12

Pos.		Article Number	Price	PU
1	flange	96427000	£ 25,00	1
2	handle	10090000	£ 64,00	1
3	hollow set screw M4x6	97767000	£ 3,30	1
4	nut	97157000	£ 20,50	1
5	O-Ring 30x2	98186000	£ 3,30	1
6	cartridge, assy	96339000	£ 79,00	1
7	O-ring 21,95x1,78	95169000	£ 3,30	1
8	adapter for cartridge	95289000	£ 25,00	1
9	O-ring 26x2	98147000	£ 3,30	1
10	aerator M24x1 (5 l/min)	95379000	£ 43,00	1
11	O-ring 34x4	98155000	£ 3,30	1
12	fixing set (Ø 32)	13961000	£ 25,00	1
13	lever collar	97548000	£ 3,30	1
14	connection hose 450 mm M8x0,75 G3/8	97206000	£ 35,00	1
15	O-ring 7x1,5	98422000	£ 3,30	1
16	pop up rod	94006000	£ 35,00	1
17	O-ring 42x1,5	98171000	£ 3,30	1
a	lever arm 340mm (ball-Ø12mm)	96324000	£ 25,00	1
b	pop up waste	94139000	£ 96,00	1
c	fixation extension 35 mm	13898000	£ 79,00	1
d	service tool for disassembling the handle	92124000	£ 137,00	1