

AXOR Starck

Single lever basin mixer 100 with lever handle and pop-up waste set

Finish: **Brushed Nickel** Article Number: **10001820**



product features

- consists of: single lever basin mixer, waste set
- ComfortZone 100
- projection: 103 mm
- spout height: 95 mm
- handle variant: lever handle
- spray type: normal spray
- maximum flow rate at 3 bar: 5 l/min
- ceramic cartridge
- temperature limitation adjustable
- suitable for continuous flow water heaters
- pop-up waste set G 1¼
- connection type: G ¾ connections
- connection dimension: DN15
- EU taxonomy: max. 6 l/min - Substantial Contribution (SC)
- WRAS 2101002
- WRAS 2101002 - Approval letter

Article Details

Price excl. VAT

418,80 £

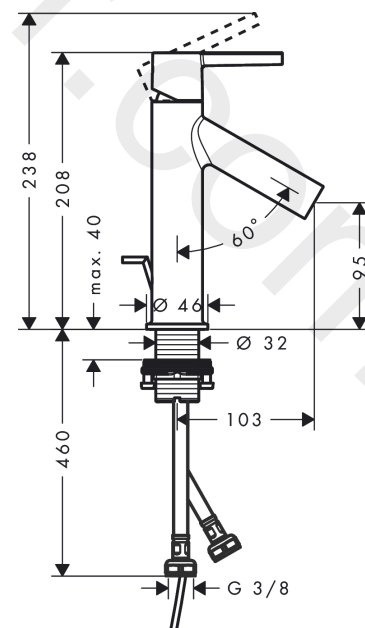
Technology



Product image



Scale drawing



AXOR Starck
Single lever basin mixer 100 with lever handle and pop-up waste set
Finish: **Brushed Nickel** Article Number: **10001820**



Flowchart

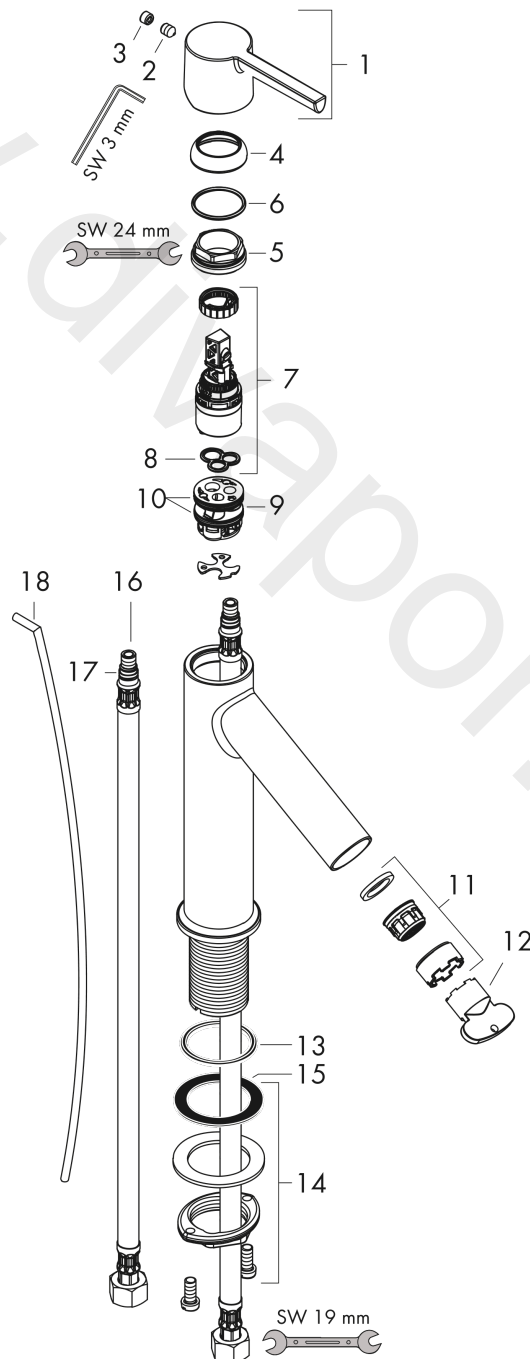


AXOR Starck
Single lever basin mixer 100 with lever handle and pop-up waste set
 Finish: **Brushed Nickel** Article Number: **10001820**



Exploded Drawing

Year of production: >02/19



AXOR Starck
Single lever basin mixer 100 with lever handle and pop-up waste set
 Finish: **Brushed Nickel** Article Number: **10001820**



Spare part list

Year of production: >02/19

Pos.		Article Number	Price	PU
1	handle	92385820	£ 76,50	1
2	hollow set screw M6x8	98444000	£ 3,30	1
3	screw cover	96762000	£ 3,30	1
4	flange	98863820	£ 64,00	1
5	nut	95178000	£ 43,00	1
6	O-ring 24x2	98388000	£ 3,30	1
7	cartridge, assy	97685000	£ 64,00	1
8	seal	98865000	£ 35,00	1
9	adapter for cartridge	98866000	£ 35,00	1
10	O-ring 23x2	98398000	£ 3,30	1
11	aerator M24x1 (5 l/min)	92386820	£ 64,50	1
12	special tool	95290000	£ 9,00	1
13	O-ring 34x4	98155000	£ 3,30	1
14	fixing set (Ø 32)	13961000	£ 25,00	1
15	lever collar	97548000	£ 3,30	1
16	connection hose 600 mm M8x0,75 G3/8	96510000	£ 25,00	1
17	O-ring 7x1,5	98422000	£ 3,30	1
18	pull rod	97158820	£ 43,00	1
a	pop up waste	94139820	£ 173,00	1
b	fixation extension 35 mm	13898000	£ 79,00	1