

# DI VAPOR

## B-DV068 THE PESARO

### PRE-INSTALLATION & DELIVERY GUIDE

Thank you for your interest in the Pesaro hydromassage bathtub. It is important that the following guidelines are carefully followed for successful installation.

## ASSEMBLY

**ATTENTION:** The Pesaro is free-standing and should not be built-in. This allows for quick access to the services and easier fitting.

## DELIVERY INFORMATION

This unit will be delivered in 1 wooden crate. To include packaging please expect:

**BOX 1** WEIGHT = 150 kgs  
DIMENSIONS = 205 cm x 110 cm x 90 cm

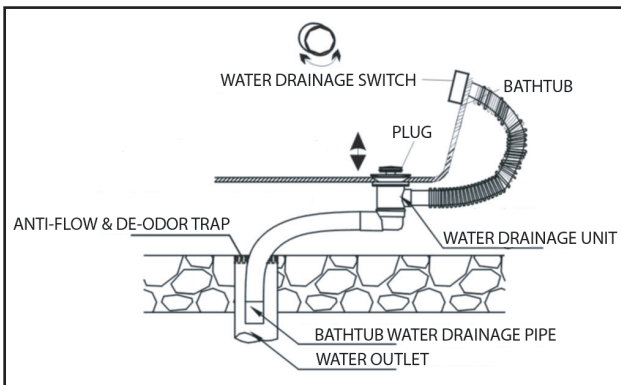
## ELECTRICALS

• Electrical supply should be wired from a 16 amp I.P. 56 socket directly back to the consumer box.

## PLUMBING

- Pipework must be recessed to allow the finished unit to sit flush against the wall.
- Use full bore water lever ball valves for the hot and cold supply to enable quick & easy shutoff of the supply. See Figure 3.
- The bath comes pre-connected with a flexible waste hose. This flexible hose should be connected to the rooms built-in waste pipe and exit as shown in Figure 2.

## DRAINAGE

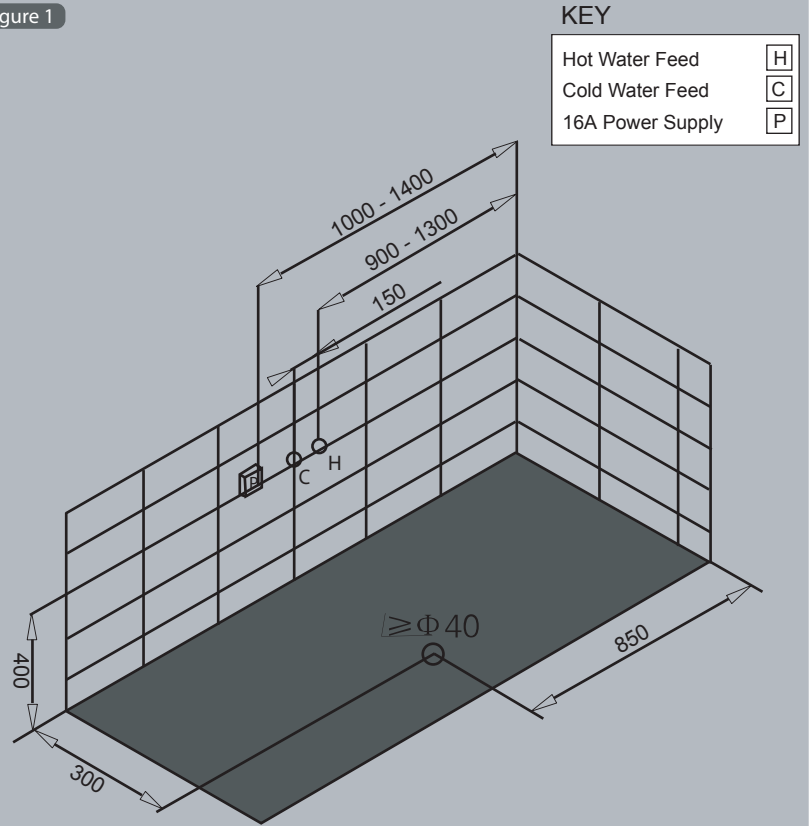


## TILING

• Prior to installation it is recommended to tile both behind and below the unit, including a clearance around the unit to avoid "building in" and the unnecessary moving of the installed bathtub. See Figure 4.

**NOTE: LAMINATE, VINYL & CARPET ARE NOT RECOMMENDED.**

Figure 1



KEY

Hot Water Feed	H
Cold Water Feed	C
16A Power Supply	P

**PLEASE ENSURE THAT WALLS AND FLOORS ARE LEVEL**

Figure 2

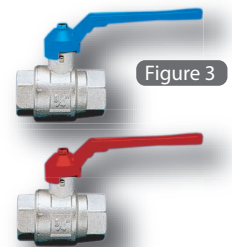
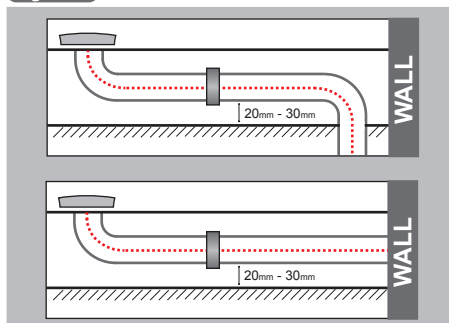


Figure 3

Figure 4

